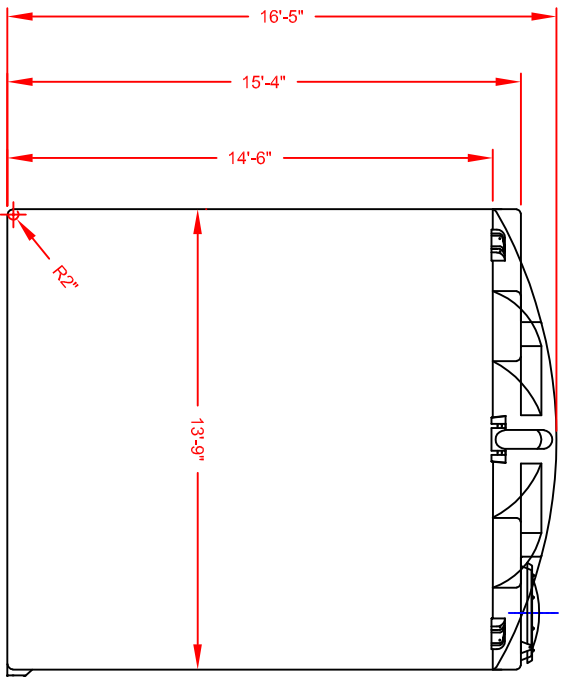
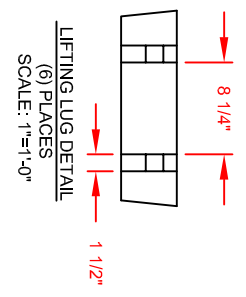
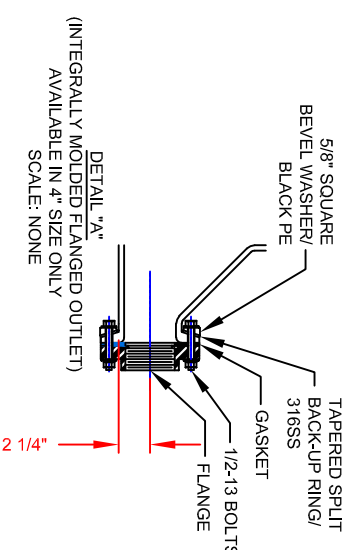
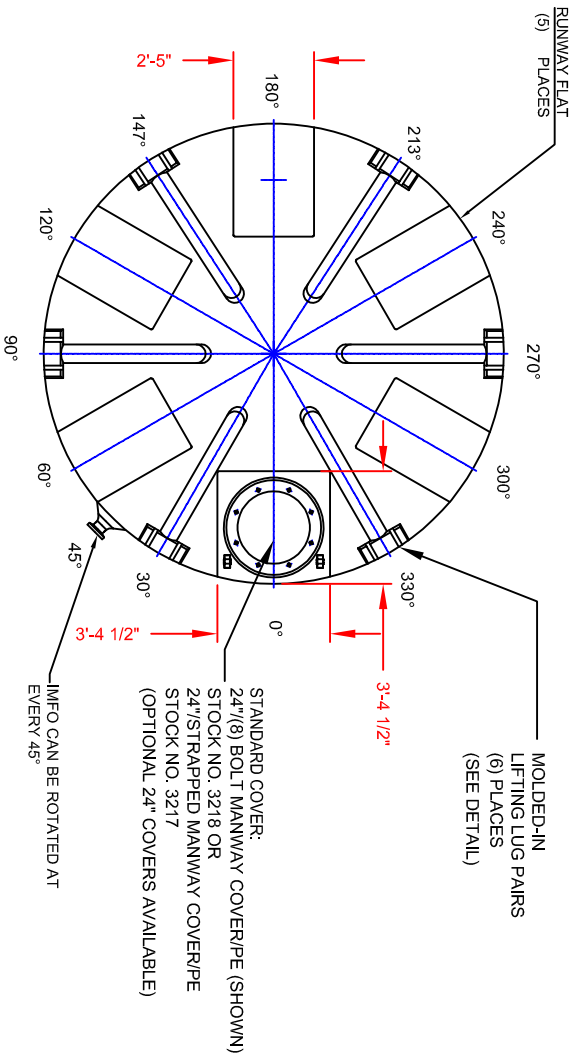


NON-CONTROLLED COPY
 INFORMATION SUBJECT TO CHANGE WITHOUT NOTICE
 VERIFY REV LEVEL OF PAPER COPY WITH REV LEVEL ON PPC WEB SITE



- NOTES**
1. THIS IS A COMPUTER GENERATED DWG. DO NOT REVISE BY HAND.
 2. DIMENSIONS WILL VARY ±3% DUE TO VARIATIONS IN MULTIPLE MOLDS & CONDITIONS PREVALENT DURING MANUFACTURE & USAGE.
 3. NO MOLDED IN GALLONAGE MARKERS THIS TANK.

| CALCULATED CAPACITIES/ VOLUME IN U.S. GALLONS | DESIGN CAP | DOME VOL | TOTAL VOL |
|--|------------|----------|-----------|
| 15653 | 994 | 16647 | |

CONFIDENTIAL PROPERTY OF
 POLY PROCESSING COMPANY
 NOT FOR REPRINT OR USE
 WITHOUT PERMISSION

15500 GALLON IMFO TANK

| | | | | | |
|-----------|------------|-------|--------------|---------------|---------------|
| DWG TITLE | | | | DR: B. HARPER | |
| SCALE: | 1/4"=1'-0" | | | OK: | |
| DATE: | 12/31/19 | SHEET | | 1 OF 1 | COMPUTER FILE |
| | | | IMFO-F-15500 | | REV |
| | | | B | | |