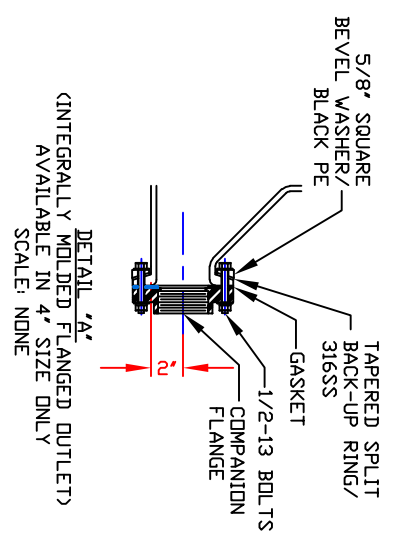
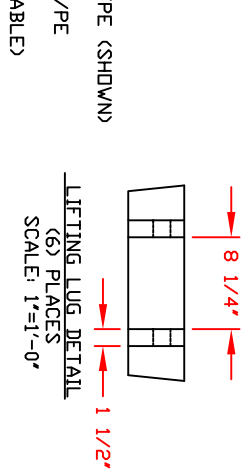
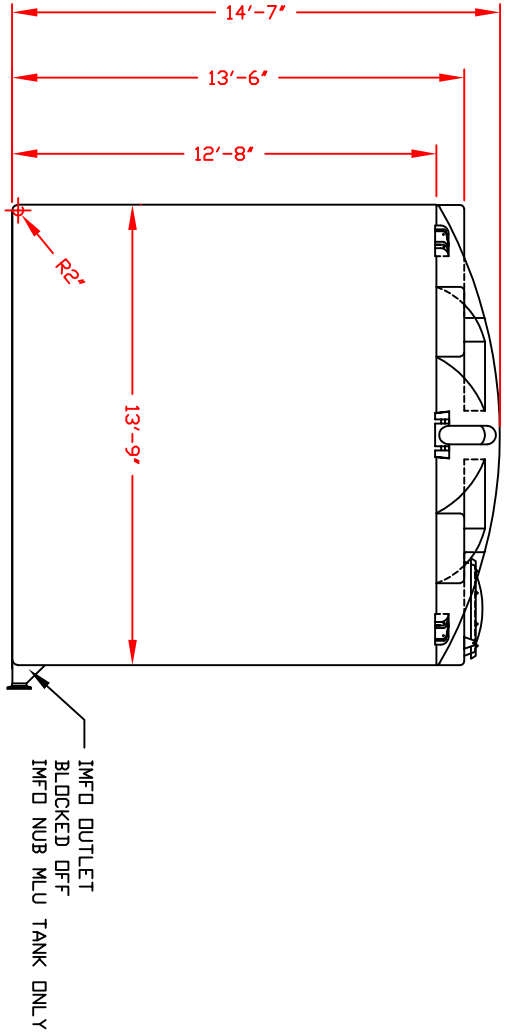
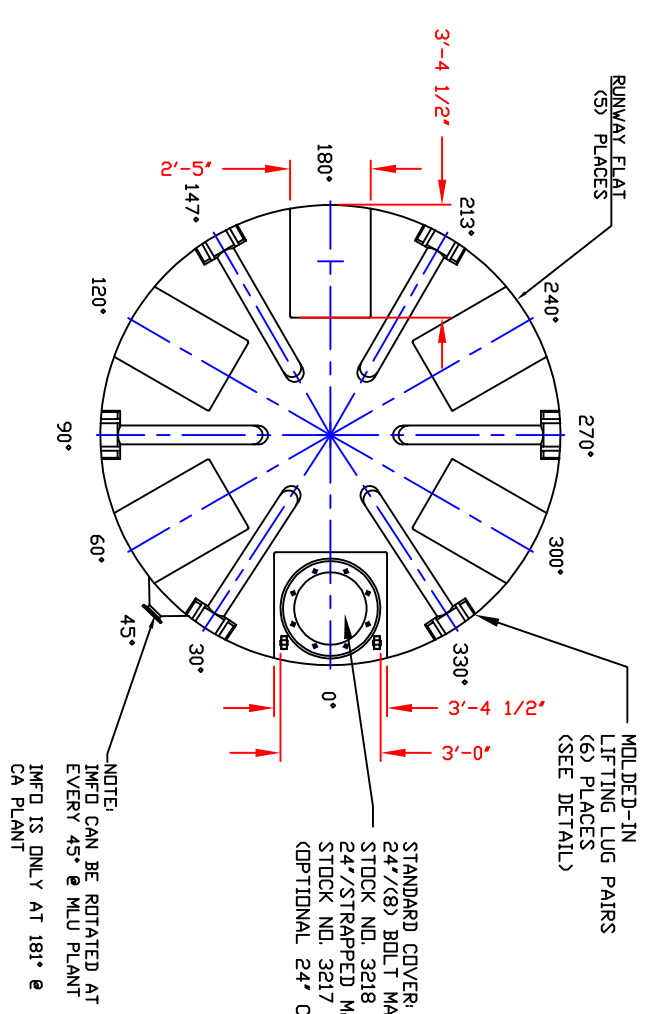


NON-CONTROLLED COPY  
 INFORMATION SUBJECT TO CHANGE WITHOUT NOTICE  
 VERIFY REV LEVEL OF PAPER COPY WITH REV LEVEL ON PPC WEB SITE



|  |            |   |           |
|--|------------|---|-----------|
| DWG TITLE  |            | 13650 GALLON IMFD TANK  |           |
| SCALE:   | 1/4"=1'-0" | DR:   | B. HARPER |
| DATE:  | 09/25/19   | CK:   |           |
|  |            | CONFIDENTIAL PROPERTY OF<br>POLY PROCESSING COMPANY<br>NOT FOR REPRINT OR USE<br>WITHOUT PERMISSION |           |
| CALCULATED CAPACITIES/<br>VOLUME IN U.S. GALLONS<br>DESIGN CAP DOME VOL TOTAL VOL<br>13650 994 14644 |            | SHEET 1 OF 1<br>COMPUTER FILE IMFD-F-13650<br>REV -   |           |