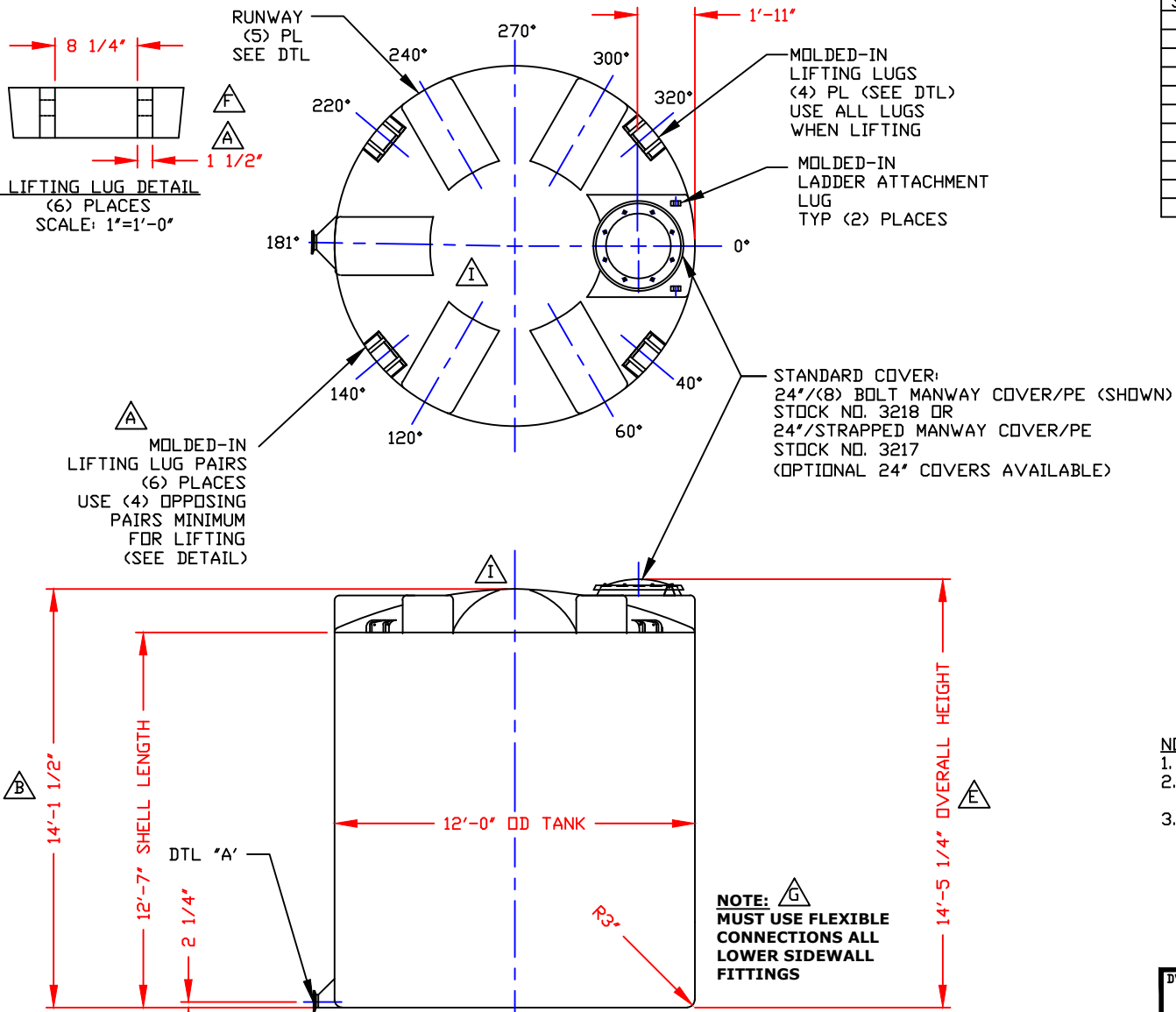
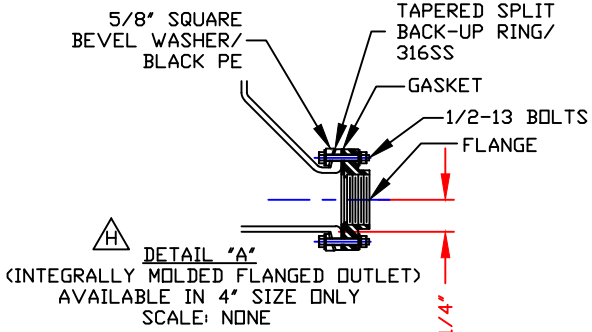


NON-CONTROLLED COPY
 INFORMATION SUBJECT TO CHANGE WITHOUT NOTICE
 VERIFY REV LEVEL OF PAPER COPY WITH REV LEVEL ON PPC WEB SITE



SERVICE	MK	STOCK NO.	SIZE	FITTING	DEG	ELEV



NOTES
 1. THIS IS A COMPUTER GENERATED DWG. DO NOT REVISE BY HAND.
 2. DIMENSIONS WILL VARY ±3% DUE TO VARIATIONS IN MULTIPLE MOLDS & CONDITIONS PREVALENT DURING MANUFACTURE & USAGE.
 3. NO MOLDED IN GALLONAGE MARKERS THIS TANK.

DESIGN CAP	DOME VOL	TOTAL VOL
10318	640	10958

CONFIDENTIAL PROPERTY OF
 POLY PROCESSING COMPANY
 NOT FOR REPRINT OR USE
 WITHOUT PERMISSION

REV "H" REVISED IMFO STYLE BY:JB 5/5/03 CK:WM
REV "G" ADDED FITTING NOTE BY:JB 2/13/03 CK:MBW
REV "F" REVISED LIFTING LUG DETAIL BY:JB 1/14/03 CK:WM
REV "E" ADDED DIMENSION BY:JB 10/22/02 CK:MBW
REV "D" REVISED DOME & MWY CONFIGURATION BY:MBW 8/28/02 CK:JB
REV "C" REVISED CALCULATED CAPACITY BY:JB 3/28/02 CK:MBW
REV "B" DID SAY 14'-3 1/2" BY:JB 3/28/02 CK:MBW
REV "A" ADDED LIFTING LUGS & DETAIL BY:JB 3/25/02 CK:MBW
REV "I" REVISED DOME OF TANK TO NEW MOLD 1/11/2021 CK:BH

DWG TITLE		10300 GALLON IMFO TANK	
SCALE:	1/4"=1'-0"	 Western Region P.O. Box 88 8025 South Ash Street French Camp, CA 92531 (951) 962-9564 FAX (951) 962-9455	DR: B. HARPER
DATE:	1/11/2021		CK:
SHEET	1 OF 1	COMPUTER FILE	REV
		IMFO-F-10300	I