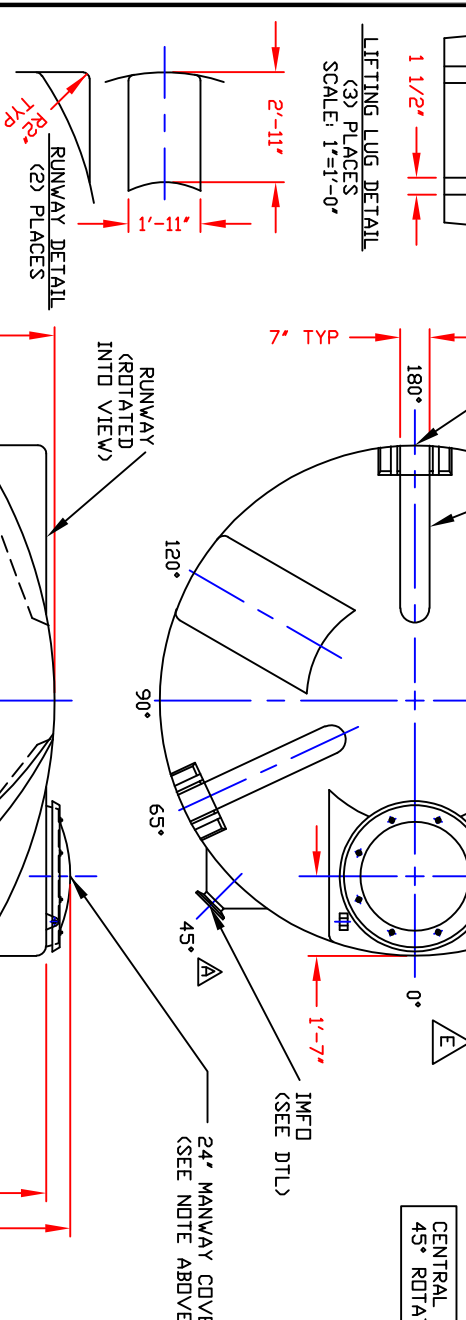
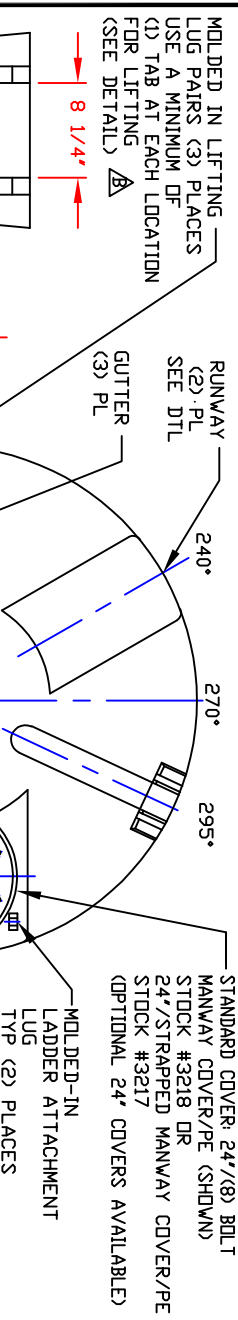


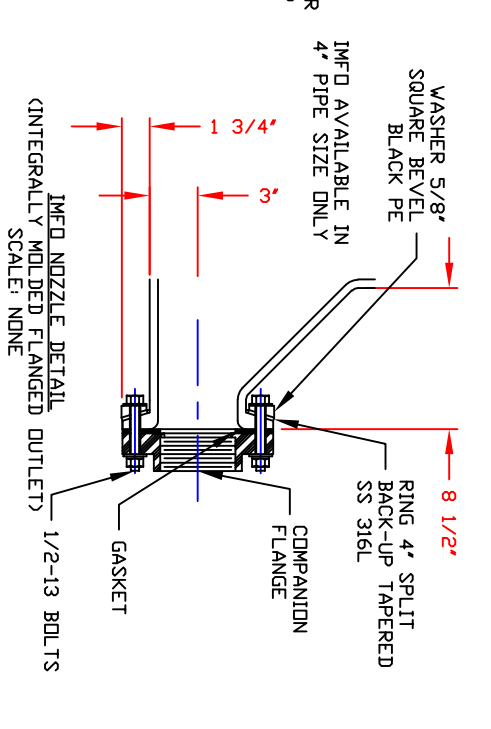
NON-CONTROLLED COPY
 INFORMATION SUBJECT TO CHANGE WITHOUT NOTICE
 VERIFY REV LEVEL OF PAPER COPY WITH REV LEVEL ON PPC WEB SITE



- REV "A" ADDED INFO LOCATION BY:MBW 2/22/00 CK:DR
- REV "B" ADDED LIFTING LUGGS & DETAIL BY:JB 4/12/02 CK:MBW
- REV "C" ADDED DIMENSION BY:JB 10/21/02 CK:MBW
- REV "D" ADDED FITTING NOTE BY:MBW 3/3/03 CK:JB
- REV "E" ADDED LADDER ATTACHMENT LUGS BY:JB 9/10/04 CK:WM
- REV "F" RELOCATED GUTTERS BY:JB 1/24/11 CK:WM

NOZZLE SCHEDULE & ACCESSORIES	
SERVICE	DEG ELEV
MIK STOCK NO	NOZ SIZE
FITTING	

CENTRAL REGION IMFD LOCATIONS: 45° ROTATE EVERY 5°
 EASTERN REGION IMFD LOCATIONS: 50° ROTATE EVERY 7.2°



NOTE: MUST USE FLEXIBLE CONNECTIONS ALL LOWER SIDEWALL FITTINGS

- NOTES
1. THIS IS A COMPUTER GENERATED DWG. DO NOT REVISE BY HAND.
 2. MOLDED IN GALLONAGE MARKERS ON SIDEWALL IN 200 GAL INCREMENTS UP TO 5800 GAL.
 3. DIMENSIONS WILL VARY ±3% DUE TO VARIATIONS IN MULTIPLE MOLDS & CONDITIONS PREVALENT DURING MANUFACTURE & USAGE.

CALCULATED CAPACITIES/ VOL UME IN U.S. GALLONS		
DESIGN CAP	DOME VOL	TOTAL VOL
6198	419	6617

CONFIDENTIAL PROPERTY OF POLY PROCESSING COMPANY NOT FOR REPRINT OR USE WITHOUT PERMISSION

DWG TITLE: 6150 GALLON IMFD TANK

SCALE: 3/8"=1'-0"

DATE: 09/19/19

DR: B. HARPER

DESIGNER: POLY PROCESSING SOLUTIONS, SIMPHER

Central Region Poly Processing Company, Inc. 3500 S. 24th St. Phoenix, AZ 85080

SHEET: 1 OF 1

COMPUTER FILE: IMFD-F-06150

REV: F