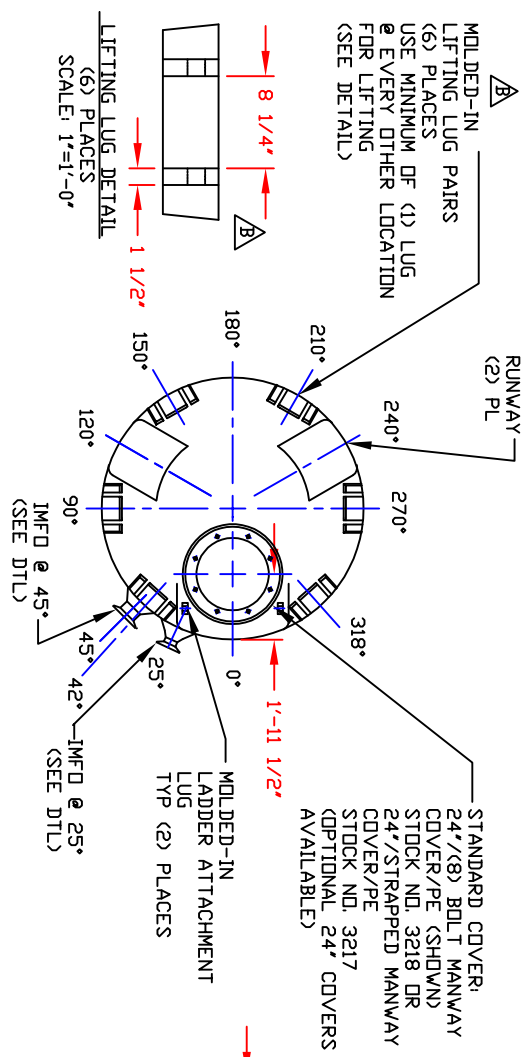
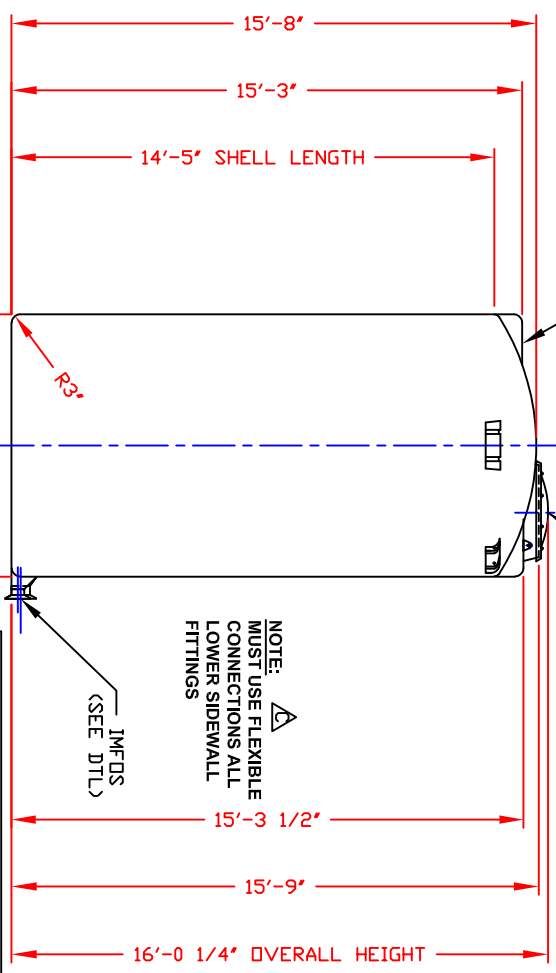


NON-CONTROLLED COPY
 INFORMATION SUBJECT TO CHANGE WITHOUT NOTICE
 VERIFY REV LEVEL OF PAPER COPY WITH REV LEVEL ON PPC WEB SITE

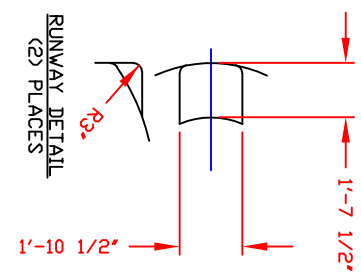


RUNWAYS ROTATED INTO VIEW
 24"/COVER SEE NOTE PLAN VIEW
 IMFDS (SEE DTL)

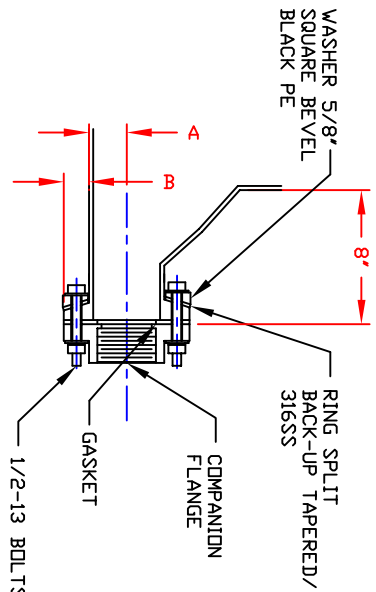


NOTE:
 MUST USE FLEXIBLE CONNECTIONS ALL LOWER SIDEWALL FITTINGS

REV 'A'	ADDED DIMENSION BY: JB 10/21/02 CK: MBW
REV 'B'	ADDED LIFTING LUGS & DETAIL BY: JB 1/13/03 CK: WM
REV 'C'	ADDED FITTING NOTE BY: MBW 3/3/03 CK: JB
REV 'D'	ADDED LADDER ATTACHMENT LUGS BY: JB 1/25/05 CK: WM
REV 'E'	IMFO NOTE REVISED BY: JB 4/8/13 CK: WM



DIMENSION CHART		PIPE SIZE	
A	B	A	B
2 1/4"	2 1/4"	4"	2 1/4"
2 3/16"	2 3/16"	6"	3 5/16"



IMFO NOZZLE DETAIL (INTEGRALLY MOLDED FLANGED OUTLET)
 SCALE: NONE
 NOTE: (2) IMFO NOZZLES MAY BE MOLDED IN TANK
 (1) @ 25° & (1) @ 45°
 4" IS STANDARD ON BOTH
 (1) 6" IS AVAILABLE @ EITHER LOCATION, BUT ONLY (1) EITHER OR BOTH MAY BE BLOCKED OFF

NOTES
 1. THIS IS A COMPUTER GENERATED DWG. DO NOT REVISE BY HAND.
 2. DIMENSIONS WILL VARY ±3% DUE TO VARIATIONS IN MULTIPLE MOLDS AND CONDITIONS PREVELANT DURING MANUFACTURE AND USAGE.
 3. MOLDED IN GALLONAGE MARKERS IN 200 GAL INCREMENTS UP TO 5000 GAL IN MANWAY AREA.

CALCULATED CAPACITIES/ VOLUME IN U.S. GALLONS	
DESIGN CAP	DOME VOLUME
5052	192
5244	5244

CONFIDENTIAL PROPERTY OF POLY PROCESSING COMPANY NOT FOR REPRINT OR USE WITHOUT PERMISSION

DWG TITLE		5050 GALLON DOUBLE IMFO TANK	
SCALE:	1/4"=1'-0"	DR:	B. HARPER
DATE:	09/19/19	CK:	
		Central Region P.O. Box 488, Grand Rapids, MI 49508 Phone: 616-352-2600 Fax: 616-352-2699	
SHEET	1 OF 1	COMPUTER FILE	IMFO-F-05050
REV	F		