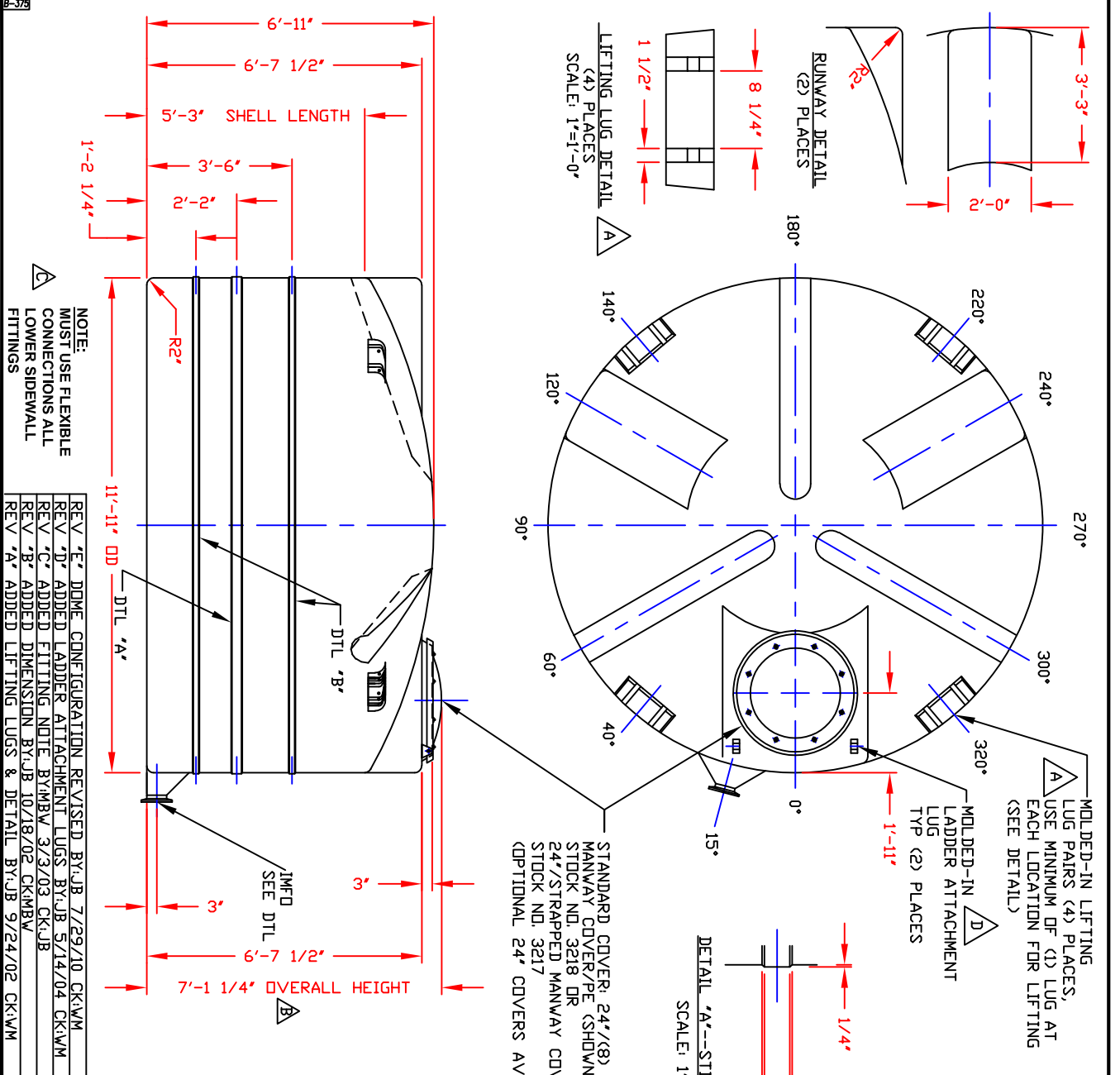


NON-CONTROLLED COPY  
 INFORMATION SUBJECT TO CHANGE WITHOUT NOTICE  
 VERIFY REV LEVEL OF PAPER COPY WITH REV LEVEL ON PPC WEB SITE



NOTE:  
 MUST USE FLEXIBLE  
 CONNECTIONS ALL  
 LOWER SIDEWALL  
 FITTINGS

REV 'E' DOME CONFIGURATION REVISED BY: J.B. 7/29/10 CKJ/M  
 REV 'D' ADDED LADDER ATTACHMENT LUGS BY: J.B. 5/14/04 CKJ/M  
 REV 'C' ADDED FITTING NOTE BY: M.B.V. 3/3/03 CKJ/B  
 REV 'B' ADDED DIMENSION BY: J.B. 10/18/02 CKJ/B  
 REV 'A' ADDED DIMENSION LUGS & DETAIL BY: J.B. 9/24/02 CKJ/M

DWG TITLE  
**4300 GALLON IMFD TANK**

| SERVICE | MK | STOCK NO. | SIZE | FITTING | DEG | ELEV |
|---------|----|-----------|------|---------|-----|------|
|         |    |           |      |         |     |      |
|         |    |           |      |         |     |      |
|         |    |           |      |         |     |      |
|         |    |           |      |         |     |      |
|         |    |           |      |         |     |      |

NOZZLE SCHEDULE & ACCESSORIES

NOTES  
 1. THIS IS A COMPUTER GENERATED DWG. DO NOT REVISE BY HAND.  
 2. DIMENSIONS WILL VARY ±3% DUE TO VARIATIONS IN MULTIPLE MOLDS &  
 CONDITIONS PREVALENT DURING MANUFACTURE & USAGE.  
 3. NO MOLDED IN GALLONAGE MARKERS THIS TANK.

CALCULATED CAPACITIES/  
 VOLUME IN U.S. GALLONS  
 DESIGN CAP DOME VOL TOTAL VOL  
 4322 675 4997

CONFIDENTIAL PROPERTY OF  
 POLY PROCESSING COMPANY  
 NOT FOR REPRINT OR USE  
 WITHOUT PERMISSION

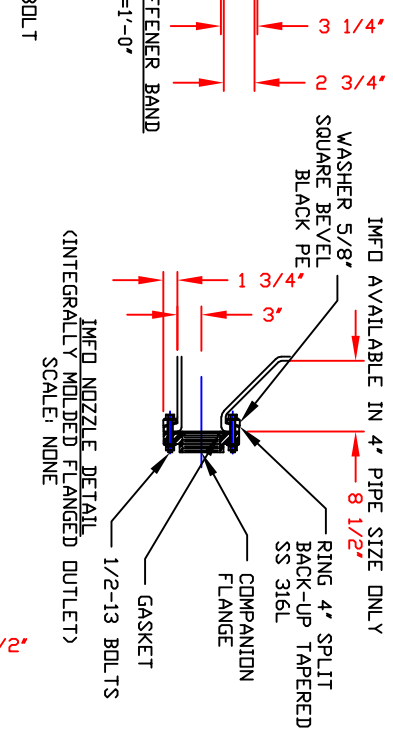
SCALE: 3/8"=1'-0"  
 DATE: 09/19/19

DR: B. HARPER  
 CK:

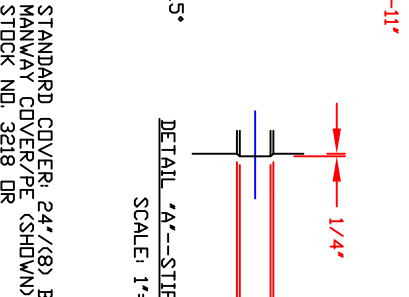
Central Region  
 P.O. Box 4480  
 Columbus, GA 31910  
 Phone: 706/532-5500  
 Fax: 706/532-5599

1 OF 1  
 IMFD-F-04300

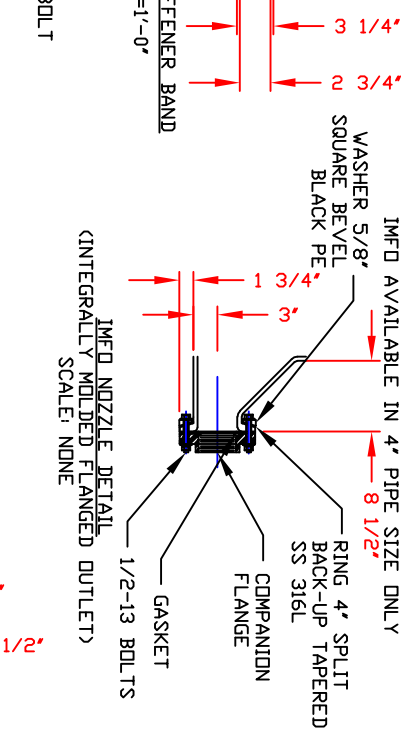
IMFD NOZZLE DETAIL  
 (INTEGRALLY MOLDED FLANGED OUTLET)  
 SCALE: 1"=1'-0"



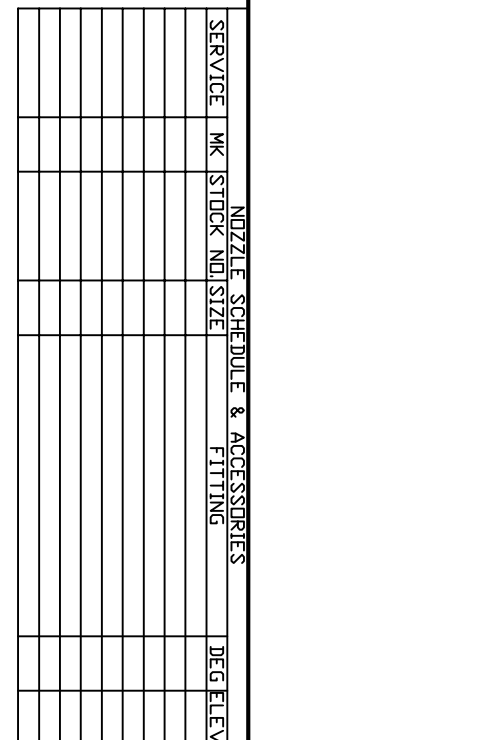
DETAIL 'A'--LIFTING LUG  
 SCALE: 1"=1'-0"



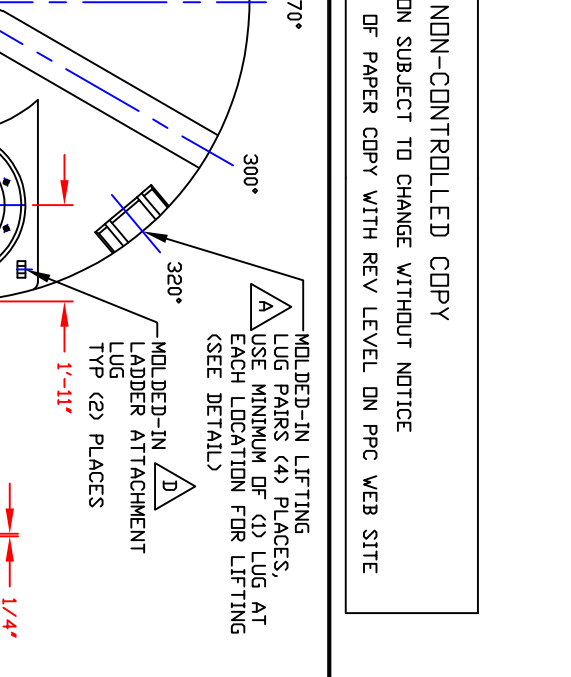
DETAIL 'B'--STIFFENER BAND  
 (2) PLACES  
 SCALE: 1"=1'-0"



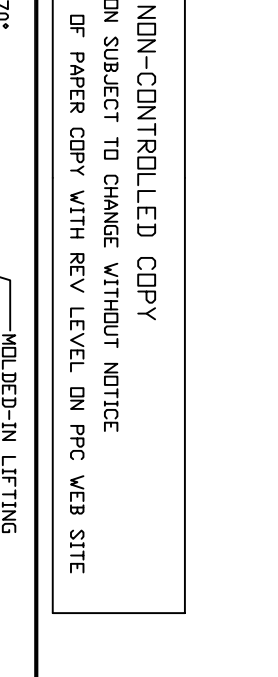
DETAIL 'A'--STIFFENER BAND  
 SCALE: 1"=1'-0"



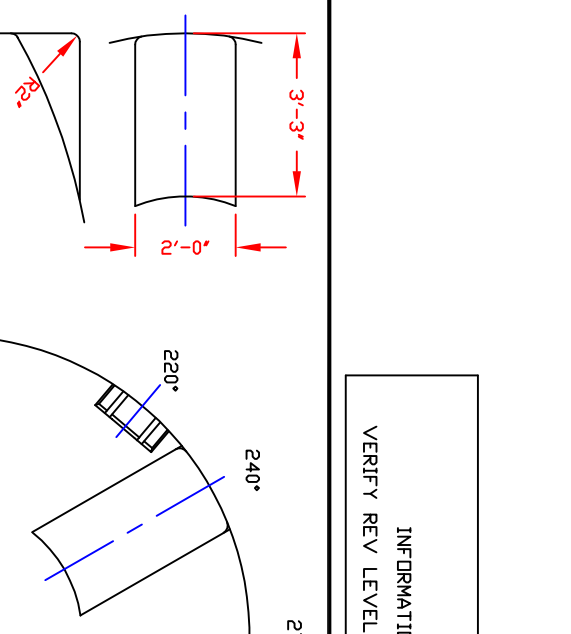
DETAIL 'C'--LIFTING LUG  
 SCALE: 1"=1'-0"



DETAIL 'D'--LADDER ATTACHMENT  
 SCALE: 1"=1'-0"



DETAIL 'E'--STIFFENER BAND  
 SCALE: 1"=1'-0"



DETAIL 'F'--STIFFENER BAND  
 SCALE: 1"=1'-0"

