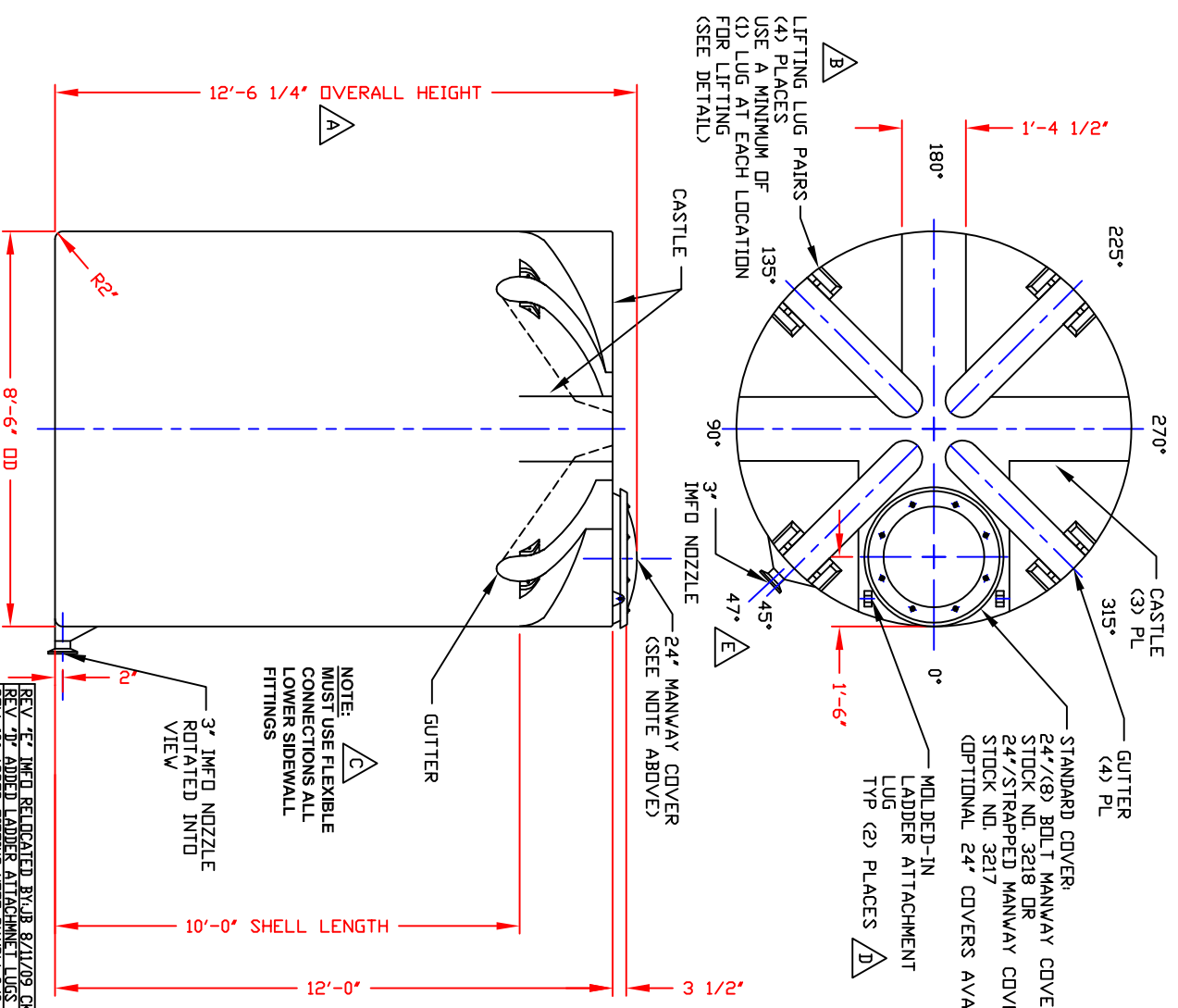
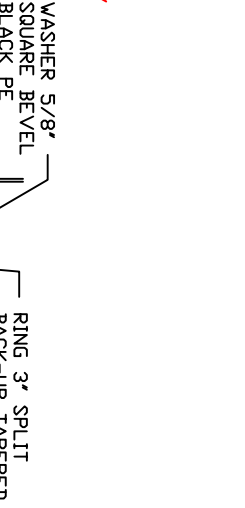
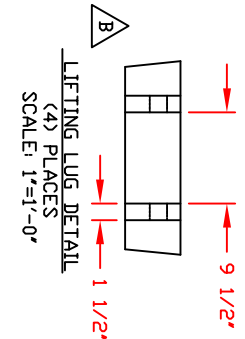


NON-CONTROLLED COPY

INFORMATION SUBJECT TO CHANGE WITHOUT NOTICE
 VERIFY REV LEVEL OF PAPER COPY WITH REV LEVEL ON PPC WEB SITE



STANDARD COVER:
 24"/(8) BOLT MANWAY COVER/PE (SHOWN)
 STOCK NO. 3218 OR
 24"/STRAPPED MANWAY COVER/PE
 STOCK NO. 3217
 (OPTIONAL 24" COVERS AVAILABLE)



NOTE:
 MUST USE FLEXIBLE
 CONNECTIONS ALL
 LOWER SIDEWALL
 FITTINGS

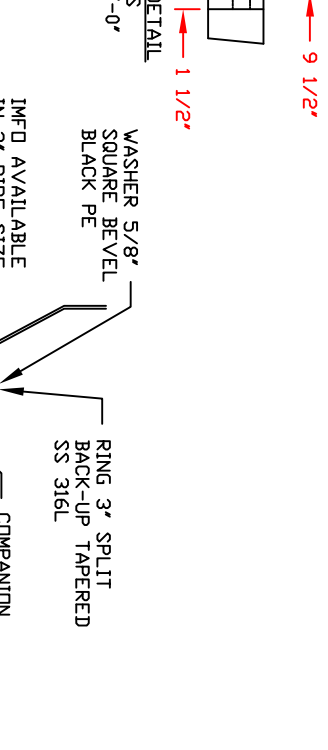
REV. E: IMFD RELOCATED BY:JUB 8/11/09 CKJWM
 REV. D: ADDED LADDER ATTACHMENT LUGS BY:JUB 7/8/03 CKJWM
 REV. C: ADDED FITTING NOTE BY:MBV 3/3/03 CKJUB
 REV. B: ADDED LIFTING LUGS & DETAIL BY:JUB 1/16/03 CKJWM
 REV. A: ADDED DIMENSION BY:JUB 10/18/02 CKJBMW

DWG TITLE		NOZZLE SCHEDULE & ACCESSORIES	
4150 GALLON IMFD TANK		SERVICE	DEG ELEV
SCALE: 3/8"=1'-0"	DATE: 09/19/19	MK STOCK NO/ SIZE	FITTING
Central Region P.O. Box 4500 Grand Rapids, MI 49508 (616) 362-2600 FAX: (616) 362-9799			
DR: B. HARRER CK:			
SHEET 1 OF 1 COMPUTER FILE IMFD-F-04150			
REV: E			

CALCULATED CAPACITIES/ VOLUME IN U.S. GALLONS	
DESIGN CAP	245
DOME VOL/TOTAL VOL	4407

NOTES
 1. THIS IS A COMPUTER GENERATED DWG. DO NOT REVISE BY HAND.
 2. DIMENSIONS WILL VARY ±3% DUE TO VARIATIONS IN MULTIPLE
 MOLDS & CONDITIONS PREVALENT DURING MANUFACTURE & USAGE.
 3. NO MOLDED IN GALLONAGE MARKERS THIS TANK.

IMFD NOZZLE DETAIL
 (INTEGRALLY MOLDED FLANGED OUTLET)
 SCALE: NONE



DWG TITLE		NOZZLE SCHEDULE & ACCESSORIES	
4150 GALLON IMFD TANK		SERVICE	DEG ELEV
SCALE: 3/8"=1'-0"	DATE: 09/19/19	MK STOCK NO/ SIZE	FITTING
Central Region P.O. Box 4500 Grand Rapids, MI 49508 (616) 362-2600 FAX: (616) 362-9799			
DR: B. HARRER CK:			
SHEET 1 OF 1 COMPUTER FILE IMFD-F-04150			
REV: E			