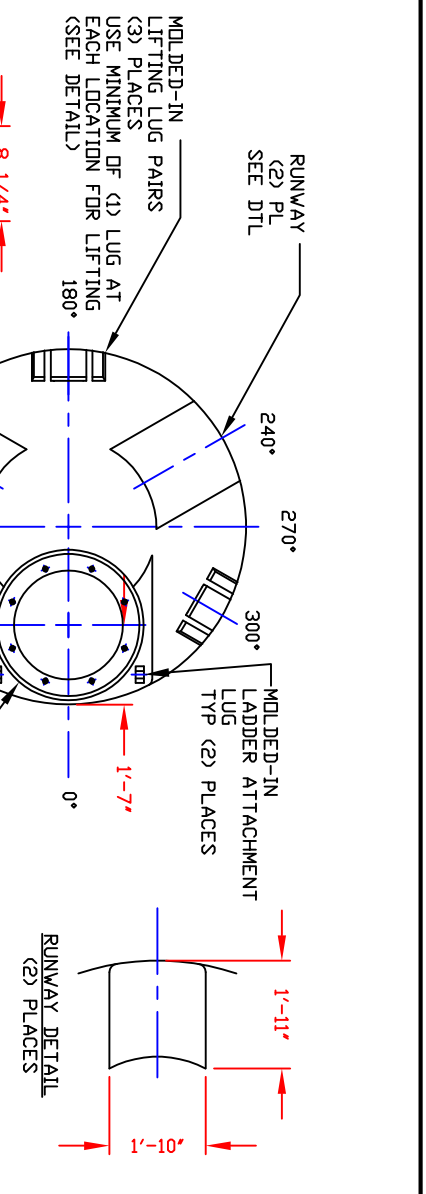
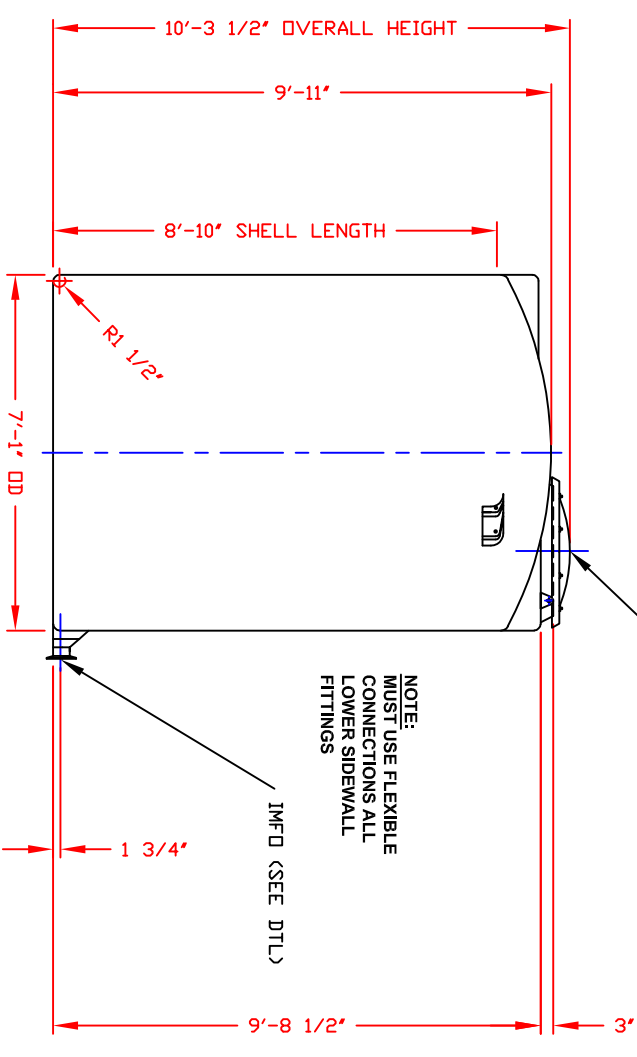


NON-CONTROLLED COPY  
 INFORMATION SUBJECT TO CHANGE WITHOUT NOTICE  
 VERIFY REV LEVEL OF PAPER COPY WITH REV LEVEL ON PPC WEB SITE

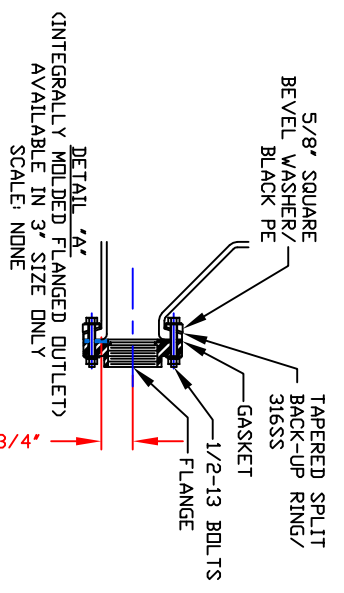


STANDARD COVER:  
 24"/(8) BOLT MANWAY COVER/PE (SHOWN)  
 STOCK NO. 3218 OR  
 24"/STRAPPED MANWAY COVER/PE  
 STOCK NO. 3217  
 (OPTIONAL 24" COVERS AVAILABLE)



NOTE:  
 MUST USE FLEXIBLE  
 CONNECTIONS ALL  
 LOWER SIDEWALL  
 FITTINGS

NOZZLE SCHEDULE & ACCESSORIES		
SERVICE	MK STOCK NO/ SIZE	DEG ELEV



- NOTES
1. THIS IS A COMPUTER GENERATED DWG. DD NOT REVISE BY HAND.
  2. DIMENSIONS WILL VARY +3% DUE TO VARIATIONS IN MULTIPLE MOLDS & CONDITIONS PREVALENT DURING MANUFACTURE & USAGE.
  3. MOLDED IN GALLONAGE MARKERS @ APPROX 60° IN 200 GAL. GALLONAGE MARKERS ARE 5" WIDE AND MUST BE AVOIDED WHEN PLACING FITTINGS.

CALCULATED CAPACITIES/ VOLUME IN U.S. GALLONS	
DESIGN CAP DOME VOLUME VOL	2701
2559	142

CONFIDENTIAL PROPERTY OF  
 POLY PROCESSING COMPANY  
 NOT FOR REPRINT OR USE  
 WITHOUT PERMISSION

DWG TITLE				2550 GALLON IMFD TANK			
SCALE:	3/8"=1'-0"	 POLY PROCESSING COMPANY, LTD.	Central Region P.O. Box 458 Grand Rapids, MI 49508 (616) 396-9999	DR:	B. HARPER		
DATE:	09/19/19			CK:			
SHEET	1 OF 1	COMPUTER FILE		REV	1 IMFD-F-02550 B		