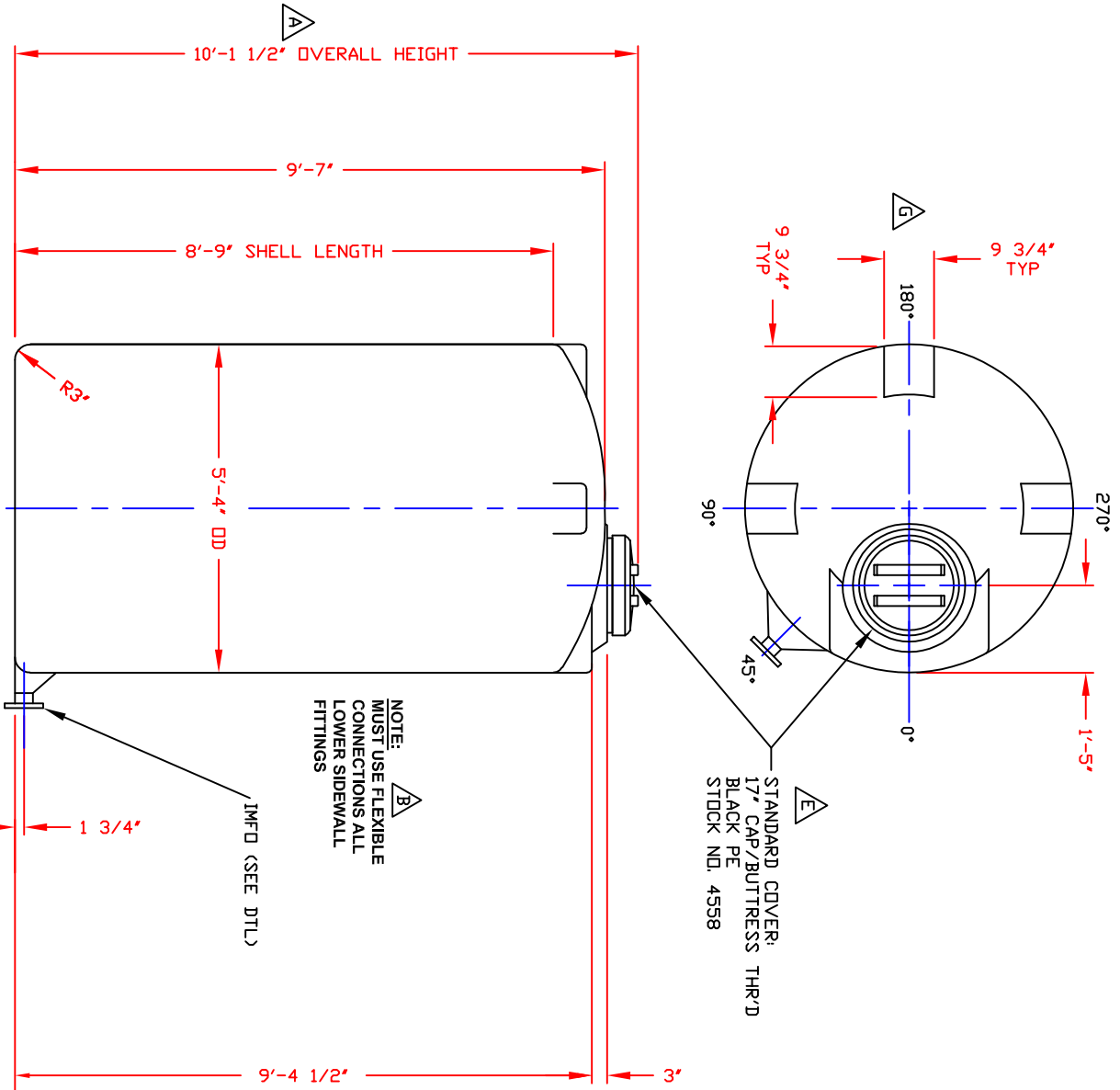


NON-CONTROLLED COPY
 INFORMATION SUBJECT TO CHANGE WITHOUT NOTICE
 VERIFY REV LEVEL OF PAPER COPY WITH REV LEVEL ON PPC WEB SITE



REV 'G'	ADDED FTG FLAT TO DOME BY:JB 12/4/12 CK:MM	REV 'C'	REVISED LID BY:MBV 3/3/03 CK:JB
REV 'F'	REVISED MANWAY CONFIGURATION BY:JB 1/6/11 CK:MM	REV 'B'	ADDED FITTING NOTE BY:MBV 3/3/03 CK:JB
REV 'E'	REVISED COVER BY:JB 7/26/09 CK:MM	REV 'A'	ADDED DIMENSION BY:JB 10/16/02 CK:MM
REV 'D'	CORRECTED IMFD DETAIL BY:MBV 2/14/06 CK:JB		

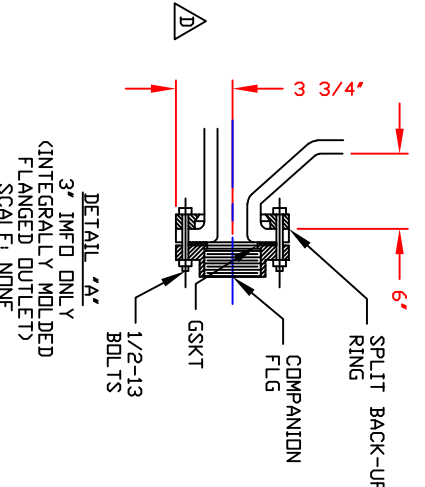
NOZZLE SCHEDULE & ACCESSORIES		
SERVICE	MK STOCK NO./SIZE	DEG ELEV

NOTE:
 MUST USE FLEXIBLE CONNECTIONS ALL LOWER SIDEWALL FITTINGS

NOTES
 1. THIS IS A COMPUTER GENERATED DWG. DO NOT REVISE BY HAND.
 2. DIMENSIONS WILL VARY ±3% DUE TO VARIATIONS IN MULTIPLE MOLDS & CONDITIONS PREVALENT DURING MANUFACTURE & USAGE.
 3. MOLDED IN GALLONAGE MARKERS @ 0° IN 100 GAL INCREMENTS UP TO 1400 GAL.

CALCULATED CAPACITIES/ VOLUME IN U.S. GALLONS	DESIGN CAP/DOME VOL/TOTAL VOL
1438	61 1499

CONFIDENTIAL PROPERTY OF
 POLY PROCESSING COMPANY
 NOT FOR REPRINT OR USE
 WITHOUT PERMISSION



DWG TITLE 1400 GALLON IMFD TANK			
SCALE: 1/2"=1'-0"		DR: B. HARPER	REV: G
DATE: 09/19/19	POLY PROCESSING SOLUTIONS, SIMPLIFIED	CHK:	
SHEET 1 OF 1	COMPUTER FILE		