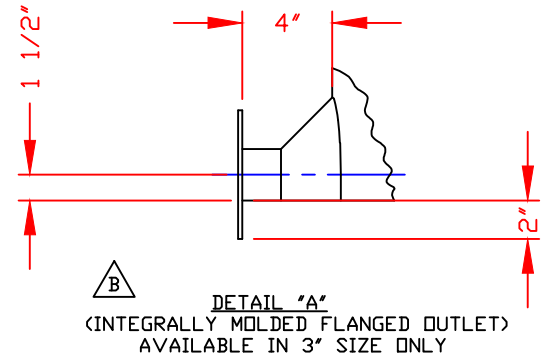
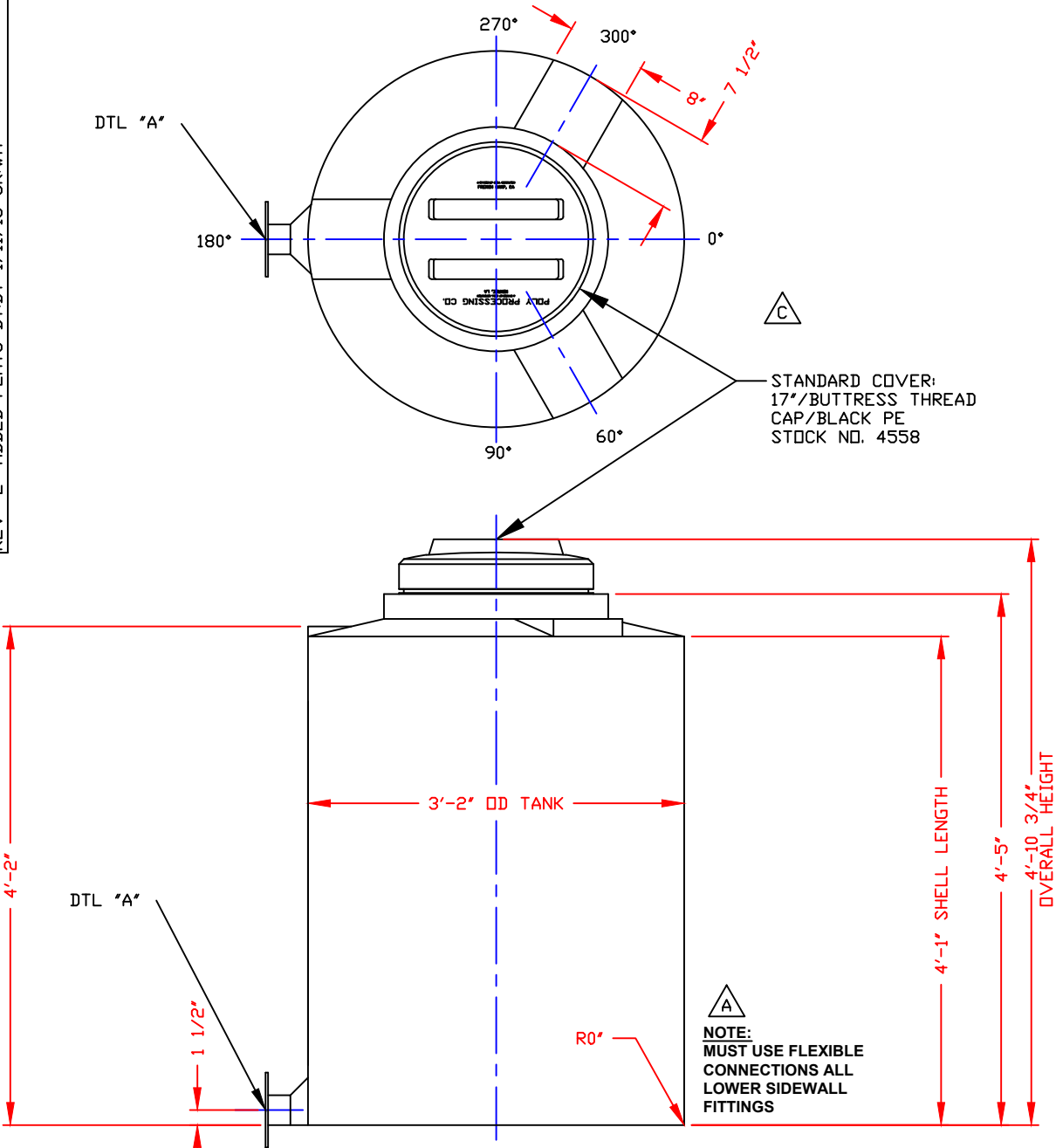


NON-CONTROLLED COPY
 INFORMATION SUBJECT TO CHANGE WITHOUT NOTICE
 VERIFY REV LEVEL OF PAPER COPY WITH REV LEVEL ON PPC WEB SITE

REV "A" ADDED FITTING NOTE BY:JB 3/3/03 CK:MBW
 REV "B" CORRECTED INFO BY:MBW 4/12/05 CK:JB
 REV "C" FLATS ADDED TO TOP BY:MBW 6/27/05 CK:JB
 REV "D" REMOVED FLATS BY:JB 3/24/09 CK:WWM
 REV "E" ADDED FLATS BY:BT 1/11/13 CK:WWM

NOZZLE SCHEDULE & ACCESSORIES						
SERVICE	MK	STOCK NO.	SIZE	FITTING	DEG	ELEV



- NOTES**
1. THIS IS A COMPUTER GENERATED DWG. DO NOT REVISE BY HAND.
 2. DIMENSIONS WILL VARY ±3% DUE TO VARIATIONS IN MULTIPLE MOLDS & CONDITIONS PREVALENT DURING MANUFACTURE & USAGE.
 3. NO MOLDED IN GALLONAGE MARKERS THIS TANK.

CALCULATED CAPACITIES/ VOLUME IN U.S. GALLONS	
DESIGN CAP	TOTAL VOL
233	240

CONFIDENTIAL PROPERTY OF
 POLY PROCESSING COMPANY
 NOT FOR REPRINT OR USE
 WITHOUT PERMISSION

DWG TITLE		230 GALLON IMFO TANK		
SCALE:	1"=1'-0"	 Western Region P.O. Box 89 9023 South Ash Street French Camp, CA 95231 (209) 962-0964 FAX (209) 962-0455	DR:	B. HARPER
DATE:	09/18/19		CK:	
SHEET		COMPUTER FILE	REV	
1 OF 1		IMFO-F-00230	E	