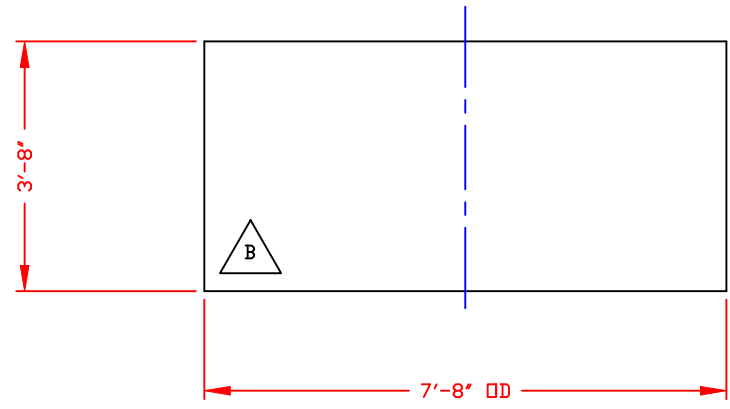
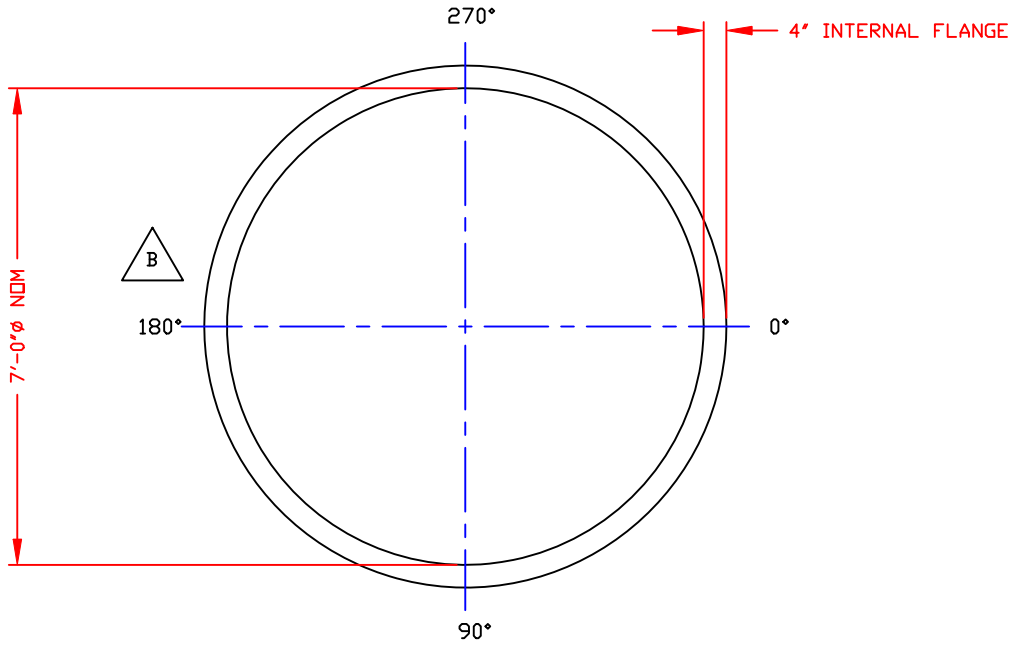



NON-CONTROLLED COPY  
 INFORMATION SUBJECT TO CHANGE WITHOUT NOTICE  
 VERIFY REV LEVEL OF PAPER COPY WITH REV LEVEL ON PPC WEB SITE



**NOTE:**   
 MUST USE FLEXIBLE  
 CONNECTIONS ALL  
 LOWER SIDEWALL  
 FITTINGS

NOZZLE SCHEDULE & ACCESSORIES					
SERVICE	MK	STOCK NO.	SIZE	FITTING	DEG ELEV

**NOTES:**  
 1. THIS IS A COMPUTER GENERATED DWG. DO NOT REVISE BY HAND.  
 2. DIMENSIONS WILL VARY ±3% DUE TO VARIATIONS IN MULTIPLE MOLDS & CONDITIONS PREVALENT DURING MANUFACTURE & USAGE.  
 3. NO GALLONAGE MARKERS THIS TANK.

CALCULATED CAPACITIES/ VOLUME IN U.S. GALLONS
DESIGN CAPACITY
1200

CONFIDENTIAL PROPERTY OF  
 POLY PROCESSING COMPANY  
 NOT FOR REPRINT OR USE  
 WITHOUT PERMISSION

DVG TITLE		1200 GALLON OPEN TOP TANK	
SCALE:	1/2"=1'-0"	<b>POLY</b> <b>PROCESSING</b> Company	DR: MB WILKERSON
DATE:	12/28/99		CK: J. BRANTLEY
REV 'B' DELETED FITTING FLAT BY:JB 9/15/04 CK:WM		SHEET	COMPUTER FILE
REV 'A' ADDED FITTING NOTE BY:MBW 4/14/03 CK:JB		1 OF 1	1501200 B