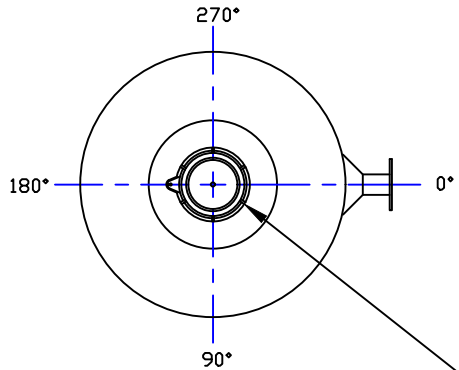
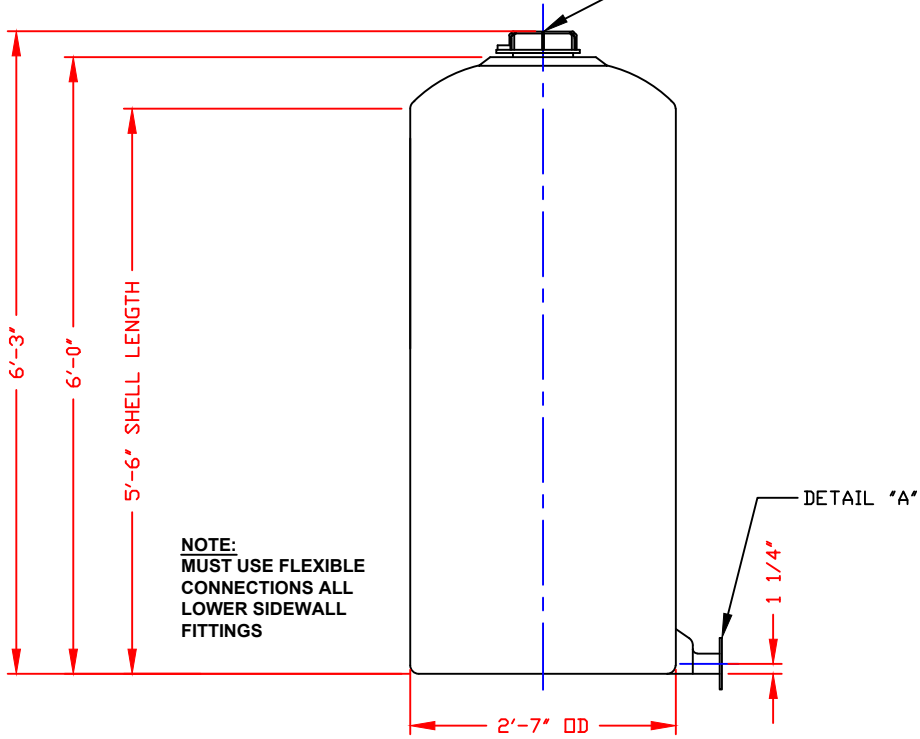


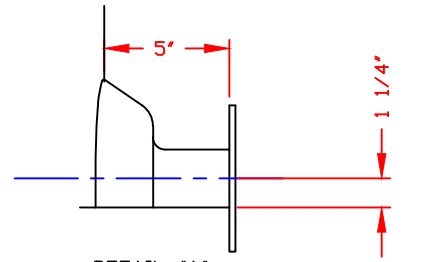
NON-CONTROLLED COPY  
 INFORMATION SUBJECT TO CHANGE WITHOUT NOTICE  
 VERIFY REV LEVEL OF PAPER COPY WITH REV LEVEL ON PPC WEB SITE



STANDARD COVER:  
 7" TH'D CAP/BLANK/CHMPLS/BLACK/PE  
 STOCK NO. 4565



**NOTE:**  
 MUST USE FLEXIBLE  
 CONNECTIONS ALL  
 LOWER SIDEWALL  
 FITTINGS




**DETAIL 'A'**  
 (INTEGRALLY MOLDED FLANGED OUTLET)  
 AVAILABLE IN 2" SIZE ONLY

- NOTES**
1. THIS IS A COMPUTER GENERATED DWG. DO NOT REVISE BY HAND.
  2. DIMENSIONS WILL VARY ±3% DUE TO VARIATIONS IN MULTIPLE MOLDS & CONDITIONS PREVALENT DURING MANUFACTURE & USAGE.

CALCULATED CAPACITIES/ VOLUME IN U.S. GALLONS		
DESIGN CAP	DOME VOL	TOTAL VOL
210	9	219

CONFIDENTIAL PROPERTY OF  
 POLY PROCESSING COMPANY  
 NOT FOR REPRINT OR USE  
 WITHOUT PERMISSION

DWG TITLE		200 GALLON IMFO TANK		
SCALE:	3/4"=1'-0"	 <b>POLYPROCESSING</b> SOLUTIONS, SIMPLIFIED.	DR:	B. HARPER
DATE:	09/25/19		CK:	
		SHEET	COMPUTER FILE	REV
		1 OF 1	IMFO-F-00200	A

REV 'A' REMOVED NOTE ABOUT GALLONAGE MARKERS MOLDED IN BY: BH 04/20/2022