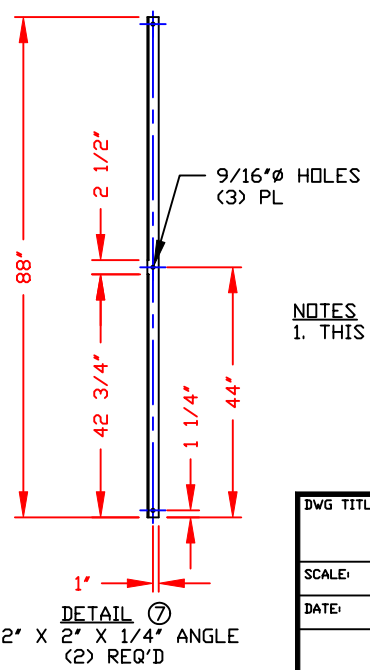
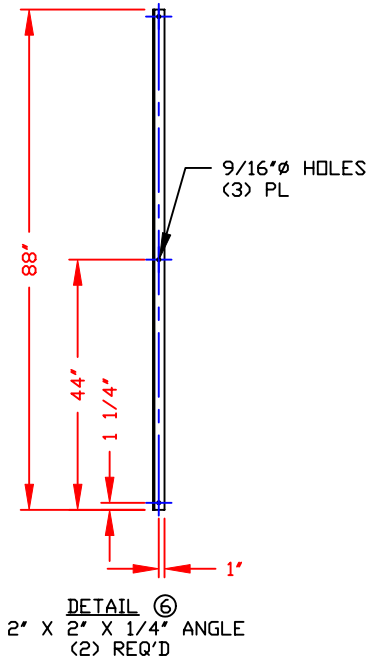
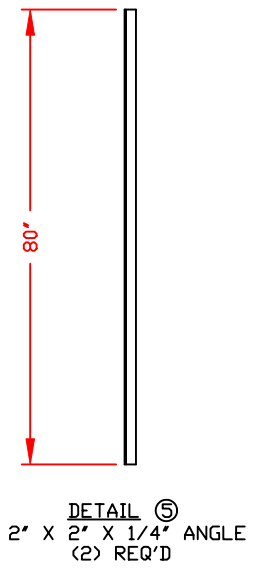
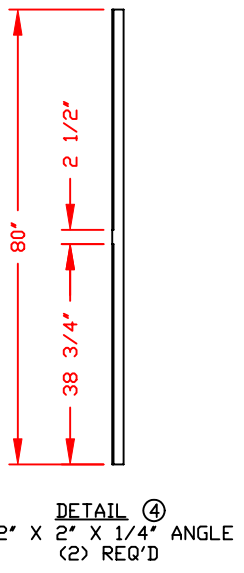
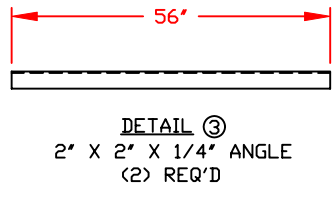
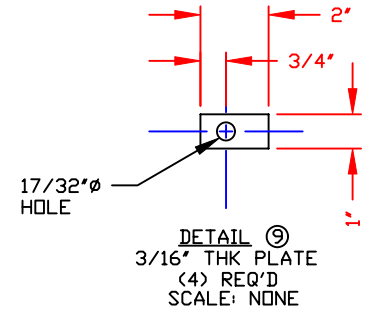
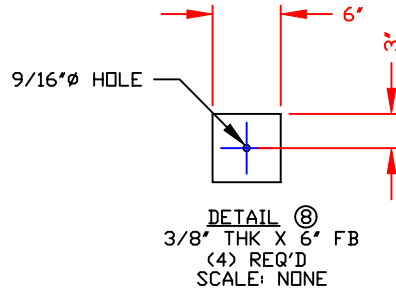
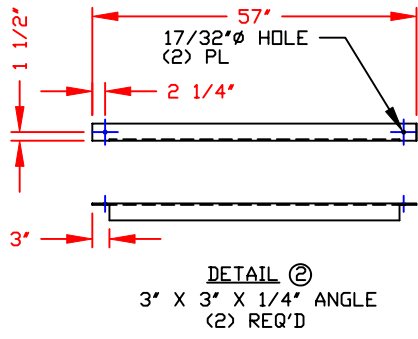
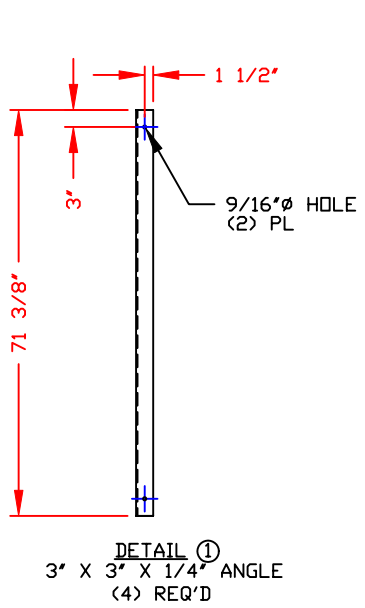


NOTES
1. THIS IS A COMPUTER GENERATED DWG. DO NOT REVISE BY HAND.

DWG TITLE		6 FT STAND FOR 1000 GAL HORIZONTAL TANK SKID		
SCALE:	1/2"=12"		DR:	MB WILKERSON
DATE:	10/9/01		CK:	J. BRANTLEY
		SHEET	COMPUTER FILE	REV
		1 OF 2	M3483	-

Central Region
P.O. Box 4150 71211
2201 Old Sterlington Rd.
Monroe, LA 71203
C310 343-7565
FAX C310 343-0795



1/2-13 x 2" LG ALL TH'D BOLT - ZINC COATED
W/(2) FLAT WASHERS
W/(1) LOCK WASHER
W/(1) 1/2-13 NUT

DETAIL ⑩
(14) REQ'D

NOTES
1. THIS IS A COMPUTER GENERATED DWG. DO NOT REVISE BY HAND.

DWG TITLE		6 FT STAND FOR 1000 GAL HORIZONTAL TANK SKID		
SCALE:	1/2"=12"	POLY PROCESSING Company	Central Region P.O. Box 4150 71211 2201 Old Sterlington Rd. Monroe, LA 71203 C180 345-7565 FAX C210 345-0795	DR: MB WILKERSON
DATE:	10/9/01		CK: J. BRANTLEY	
		SHEET	COMPUTER FILE	REV
		2 OF 2	M3483	-