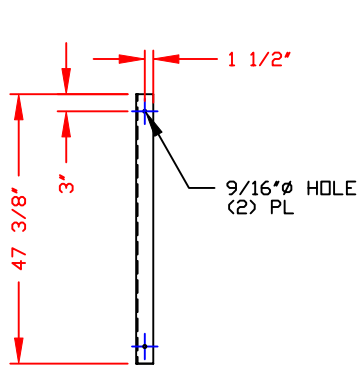


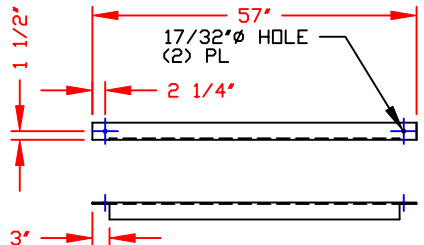
NOTES

1. THIS IS A COMPUTER GENERATED DWG. DO NOT REVISE BY HAND.

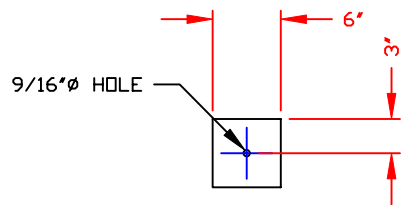
DWG TITLE		4 FT STAND FOR 1000 GAL HORIZONTAL TANK SKID	
SCALE:	1/2"=12"		DR: MB WILKERSON
DATE:	2/28/02		CK: J. BRANTLEY
		SHEET	COMPUTER FILE
		1 OF 2	M3472
			REV A



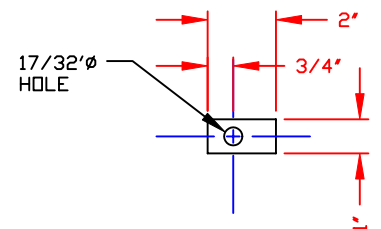
DETAIL ①
3' X 3' X 1/4' ANGLE
(4) REQ'D



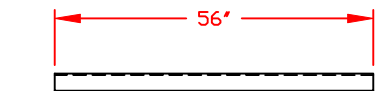
DETAIL ②
3' X 3' X 1/4' ANGLE
(2) REQ'D



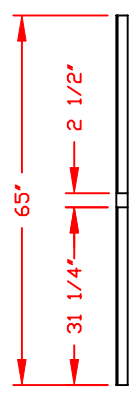
DETAIL ③
3/8' THK X 6' FB
(4) REQ'D
SCALE: NONE



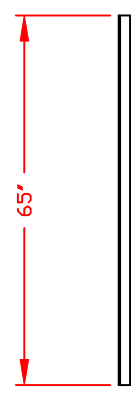
DETAIL ④
3/16' THK PLATE
(4) REQ'D
SCALE: NONE



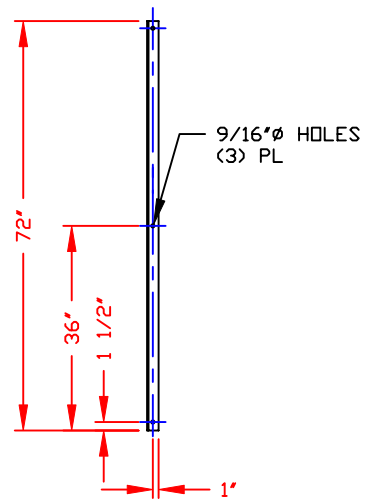
DETAIL ⑤
3' X 3' X 1/4' ANGLE
(2) REQ'D



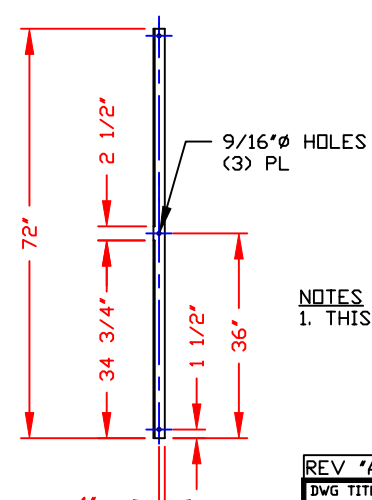
DETAIL ⑥
2' X 2' X 1/4' ANGLE
(2) REQ'D



DETAIL ⑦
2' X 2' X 1/4' ANGLE
(2) REQ'D



DETAIL ⑧
2' X 2' X 1/4' ANGLE
(2) REQ'D



DETAIL ⑨
2' X 2' X 1/4' ANGLE
(2) REQ'D

1/2-13 x 2' LG ALL TH'D BOLT - ZINC COATED
W/(2) FLAT WASHERS
W/(1) LOCK WASHER
W/(1) 1/2-13 NUT

DETAIL ⑩
(14) REQ'D

NOTES

1. THIS IS A COMPUTER GENERATED DWG. DO NOT REVISE BY HAND.

REV "A" DETAIL 3 DID SAY 2' X 2' X 1/4' BY:JB 10/6/04 CK:MBW		DWG TITLE	
4 FT STAND FOR 1000 GAL		HORIZONTAL TANK SKID	
SCALE: 1/2"=12"		DR: MB WILKERSON	REV
DATE: 2/28/02		CK: J. BRANTLEY	A
SHEET		COMPUTER FILE	REV
2 OF 2		M3472	A