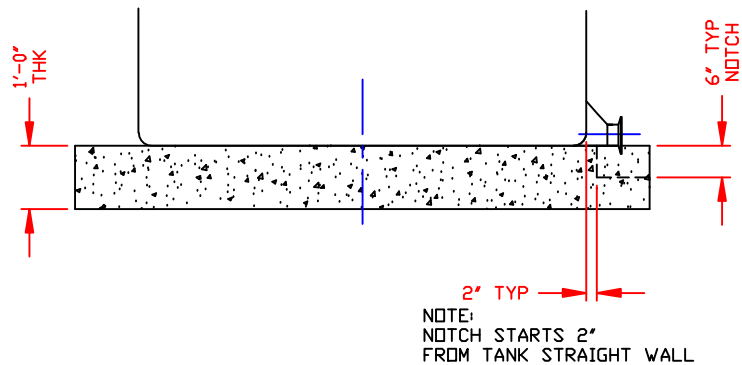
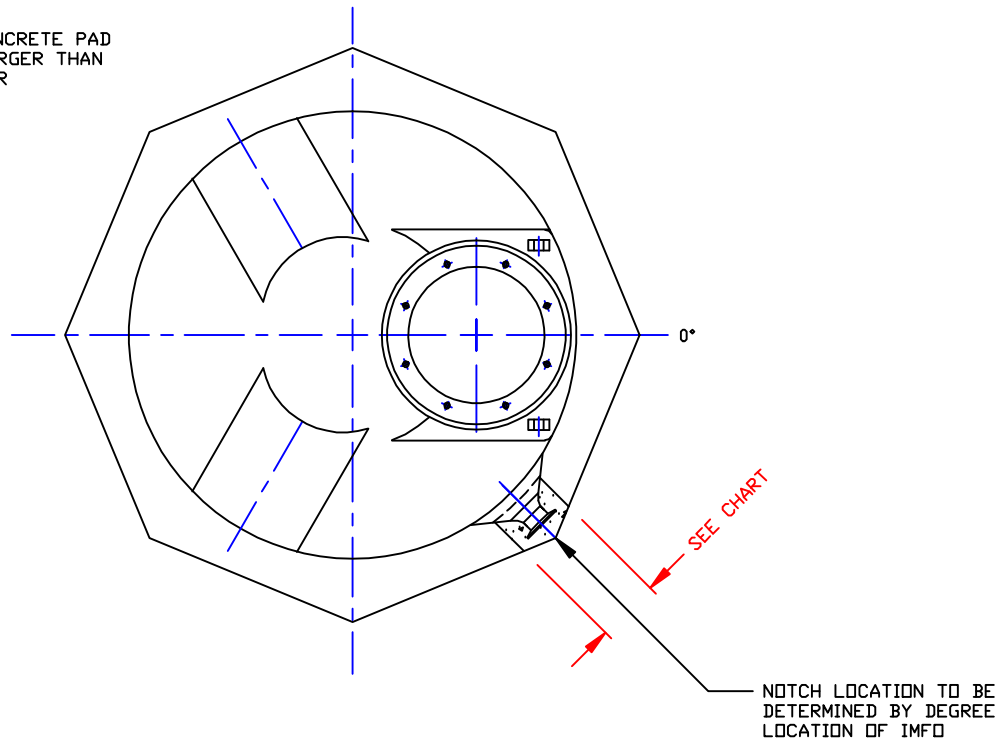



NOTE:  
ELEVATED CONCRETE PAD  
TO BE 24" LARGER THAN  
TANK DIAMETER



NOTE:  
DRAWING IS FOR DIMENSION REFERENCE ONLY  
NOT INTENDED FOR FABRICATION

DVG TITLE			
OCTAGONAL CONCRETE IMFO PAD			
SCALE:	1/2"=1'-0"	 <b>POLY PROCESSING</b> SOLUTIONS. SIMPLIFIED.	DR:
DATE:	2/10/11		J, BRANTLEY
		<small>Central Region P.O. Box 4100 • 71520 2501 Old Shreveport Rd. Monroe, LA 70005 CEN 343-7863 FAX CEN 343-9795</small>	CK:
			XXXX
		SHEET	COMPUTER FILE
		1 OF 1	IMFOPADCT
			REV
			-