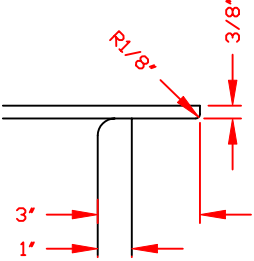
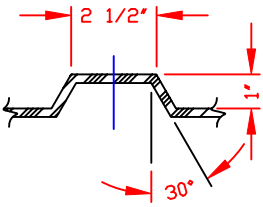
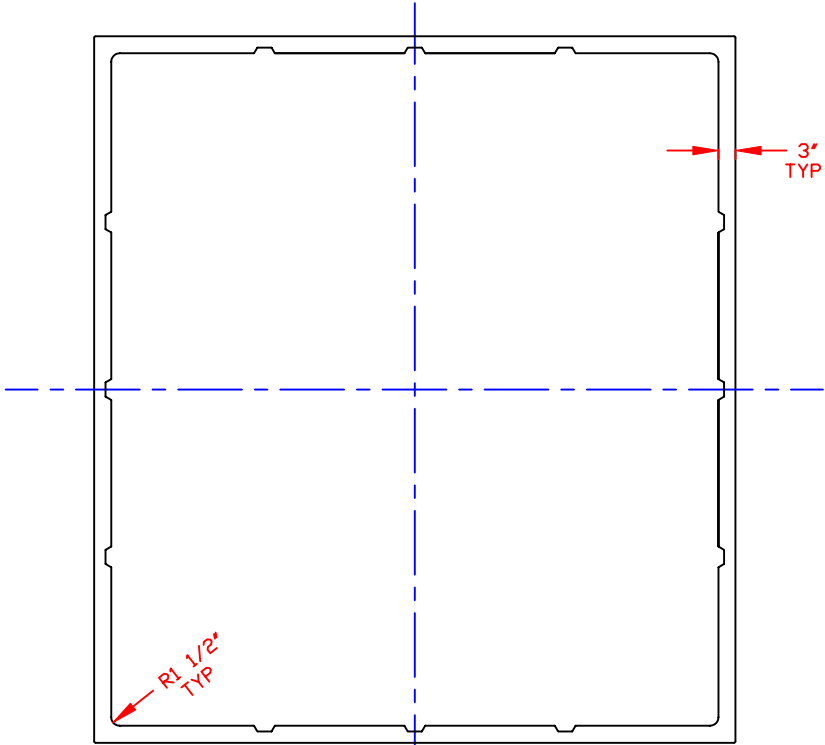
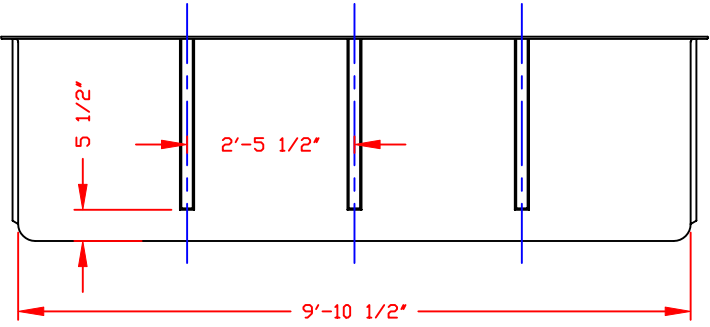
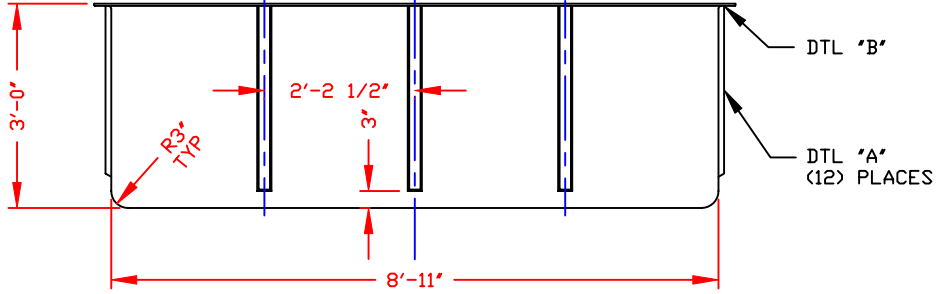


NON-CONTROLLED COPY	COPY ISSUED BY _____
INFORMATION SUBJECT TO CHANGE WITHOUT NOTICE	
COPY WILL NOT BE UPDATED	COPY ISSUED ON _____

NOZZLE SCHEDULE & ACCESSORIES					
SERVICE	MK	STOCK NO.	SIZE	FITTING	DEG ELEV



- NOTES:**
1. THIS IS A COMPUTER GENERATED DWG. DO NOT REVISE BY HAND.
 2. DIMENSIONS WILL VARY ±3% DUE TO VARIATIONS IN MULTIPLE MOLDS & CONDITIONS PREVALENT DURING MANUFACTURE & USAGE.
 3. NO MOLDED IN GALLONAGE MARKERS IN THIS TANK.



NOTE: CAPACITIES OF RECTANGULAR SECONDARY CONTAINMENT BASINS MAY BE SIGNIFICANTLY LESS THAN NOMINAL VOLUME WITHOUT ADEQUATE EXTERNAL SUPPORT.

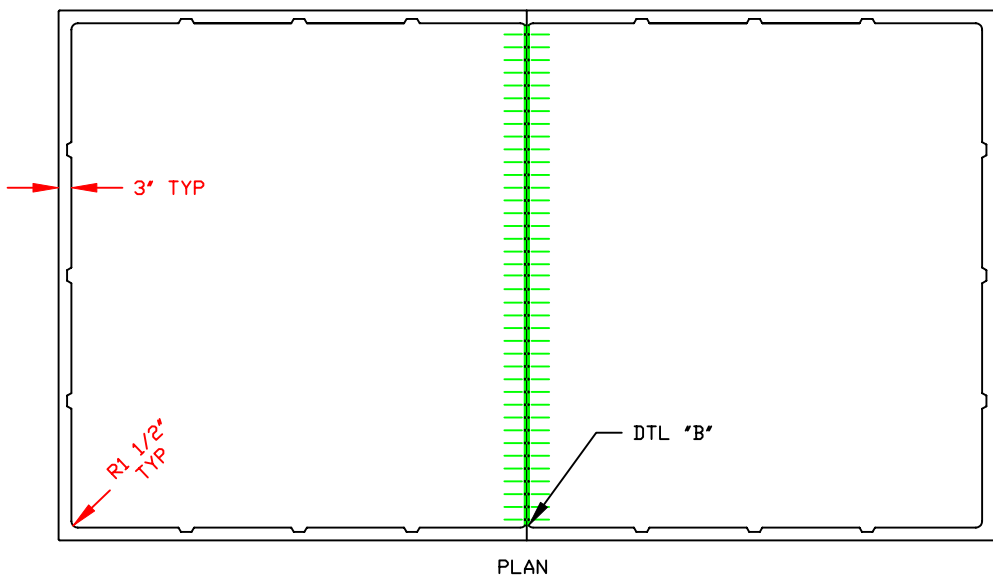
CALCULATED CAPACITIES/ VOLUME IN U.S. GALLONS
DESIGN CAPACITY
1850

CONFIDENTIAL PROPERTY OF POLY PROCESSING COMPANY NOT FOR REPRINT OR USE WITHOUT PERMISSION

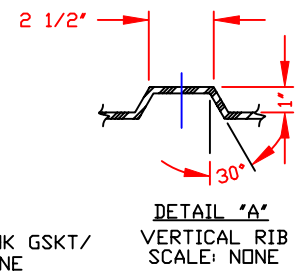
DWG TITLE		1850 GALLON RECTANGULAR SECONDARY CONTAINMENT	
SCALE:	1/2"=1'-0"		Central Region P.O. Box 4150 (71211) 2281 Old Stevington Rd. Monroe, LA 71203 (504) 343-7565 FAX (504) 343-8795
DATE:	1/3/00		DR: MB WILKERSON CK: D. RECTOR
SHEET		COMPUTER FILE	REV
1 OF 1		5101850	-

NON-CONTROLLED COPY
 INFORMATION SUBJECT TO CHANGE WITHOUT NOTICE
 COPY WILL NOT BE UPDATED

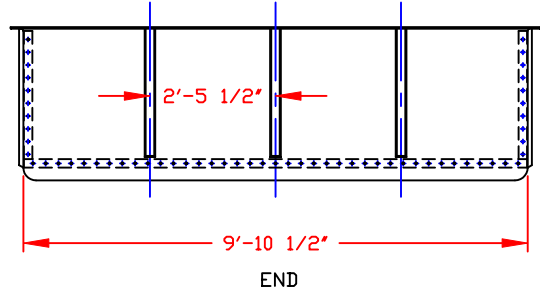
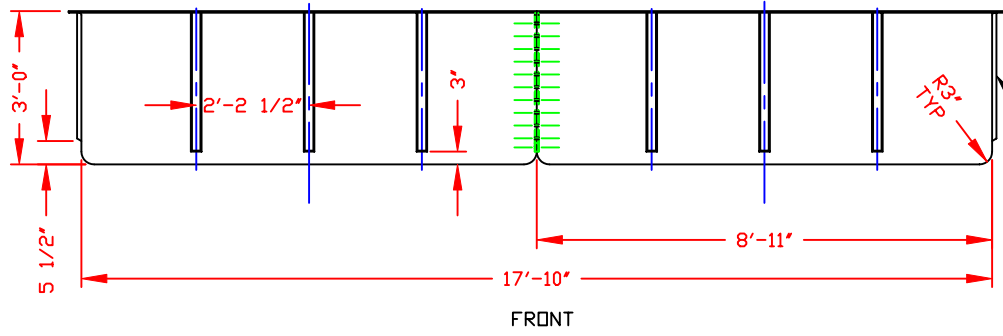
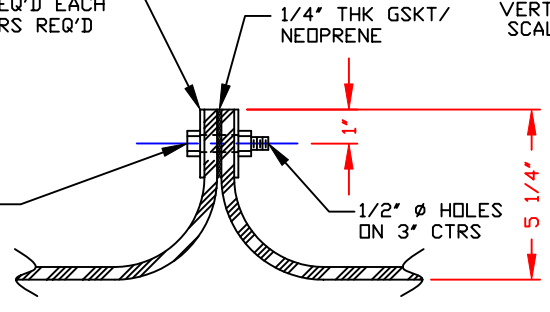
COPY ISSUED BY.....
 COPY ISSUED ON.....



1/8" THK X 2" FB/SS
 (BOTH SIDES)
 VERTICAL BARS ARE 31' LONG
 W/1/2" Ø HOLES ON 3" CTRS.
 START HOLES 2" FROM END (10)
 HOLES REQ'D EACH BAR. (4)
 VERTICAL BARS REQ'D EACH
 UNION. HORIZONTAL BARS ARE
 118 1/4" LONG W/1/2" Ø HOLES
 ON 3" CTRS. START HOLES 2 1/8"
 FROM END (39) HOLES REQ'D EACH
 BAR. (2) HORIZONTAL BARS REQ'D
 EACH UNION.



3/8"-16 X 2 1/2" LG
 BOLT/SS W/(2) FLAT
 WASHERS W/(1) LOCK
 WASHER W/3/8-16
 HEX NUT (59) REQ'D
 EACH UNION



- NOTES:
 1. THIS IS A COMPUTER GENERATED DWG. DO NOT REVISE BY HAND.
 2. DIMENSIONS WILL VARY ±3% DUE TO VARIATIONS IN MULTIPLE
 MOLDS & CONDITIONS PREVALENT DURING MANUFACTURE & USAGE.
 3. FOR DETAILS SINGLE 1850 GALLON RECTANGULAR SECONDARY
 CONTAINMENT SEE DWG NO. 5101850.
 4. NO GALLONAGE MARKERS THIS TANK.

NOTE: CAPACITIES OF RECTANGULAR SECONDARY CONTAINMENT BASINS
 MAY BE SIGNIFICANTLY LESS THAN NOMINAL VOLUME WITHOUT
 ADEQUATE EXTERNAL SUPPORT.

CALCULATED CAPACITIES/ VOLUME IN U.S. GALLONS
DESIGN CAPACITY
3700

CONFIDENTIAL PROPERTY OF
 POLY PROCESSING COMPANY
 NOT FOR REPRINT OR USE
 WITHOUT PERMISSION

DWG TITLE (2) 1850 GALLON RECTANGULAR SECONDARY CONTAINMENT BASINS JOINED TOGETHER			Central Region P.O. Box 4150 (71211) 2281 1st Streetington Rd. Monroeville, LA 71250 (504) 343-7545 FAX (504) 343-8795	DR: MB WILKERSON CK: D. RECTOR
SCALE: 3/8"=1'-0"	DATE: 1/5/00		SHEET 1 OF 1	COMPUTER FILE 5101850A