

NON-CONTROLLED COPY

INFORMATION SUBJECT TO CHANGE WITHOUT NOTICE

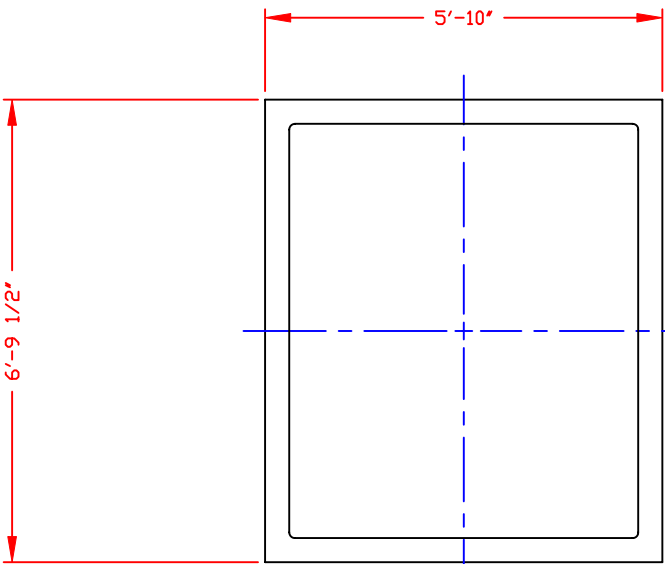
COPY WILL NOT BE UPDATED

COPY ISSUED BY.....

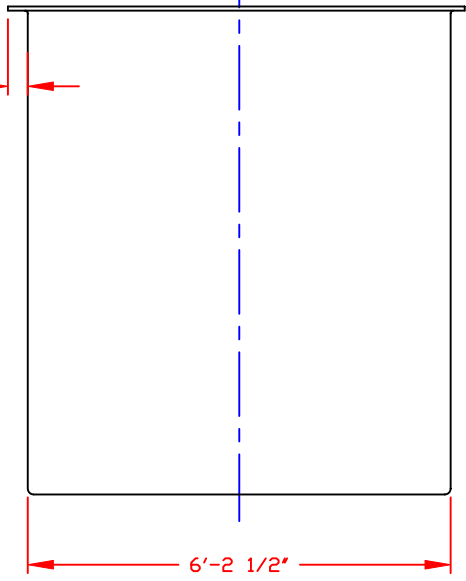
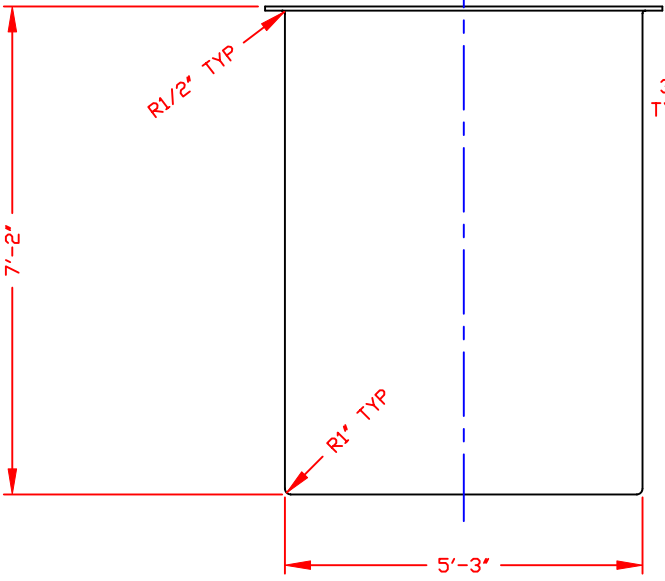
COPY ISSUED ON.....

NOZZLE SCHEDULE & ACCESSORIES

SERVICE	MK	STOCK NO.	SIZE	FITTING	DEG	ELEV



NOTE: CAPACITIES OF RECTANGULAR SECONDARY CONTAINMENT BASINS MAY BE SIGNIFICANTLY LESS THAN NOMINAL VOLUME WITHOUT ADEQUATE EXTERNAL SUPPORT.



- NOTES:
1. THIS IS A COMPUTER GENERATED DWG. DO NOT REVISE BY HAND.
 2. DIMENSIONS WILL VARY ±3% DUE TO VARIATIONS IN MULTIPLE MOLDS & CONDITIONS PREVALENT DURING MANUFACTURE & USAGE.
 3. NO GALLONAGE MARKERS THIS TANK.

CALCULATED CAPACITIES/ VOLUME IN U.S. GALLONS
DESIGN CAPACITY
1500

CONFIDENTIAL PROPERTY OF POLY PROCESSING COMPANY NOT FOR REPRINT OR USE WITHOUT PERMISSION

DWG TITLE			
1500 GALLON RECTANGULAR SECONDARY CONTAINMENT			
SCALE: 1/2"=1'-0"		Central Region P.O. Box 4150 (71211) 2281 Old Stevington Rd. Morgan, LA 71253 CIB 343-7565 FAX CIB 343-6795	DR: MB WILKERSON
DATE: 1/3/00		CK: D. RECTOR	
SHEET		COMPUTER FILE	REV
1 OF 1		5101500	-