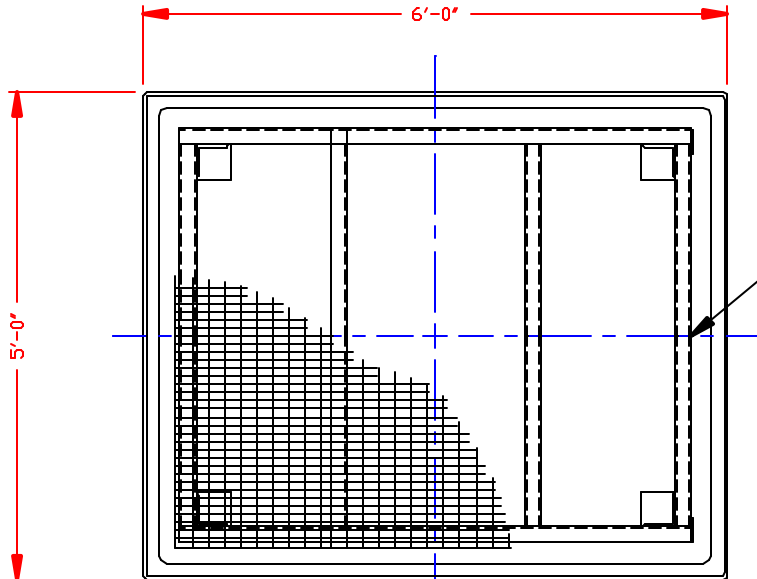


NON-CONTROLLED COPY  
 INFORMATION SUBJECT TO CHANGE WITHOUT NOTICE  
 COPY WILL NOT BE UPDATED

COPY ISSUED BY \_\_\_\_\_  
 COPY ISSUED ON \_\_\_\_\_

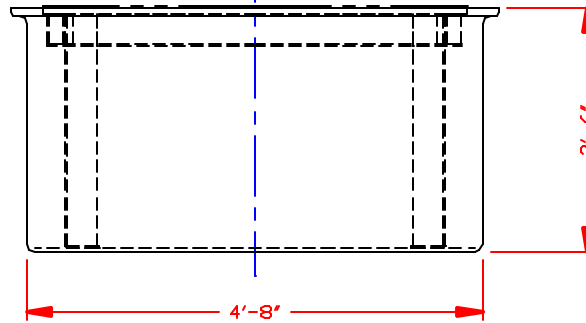
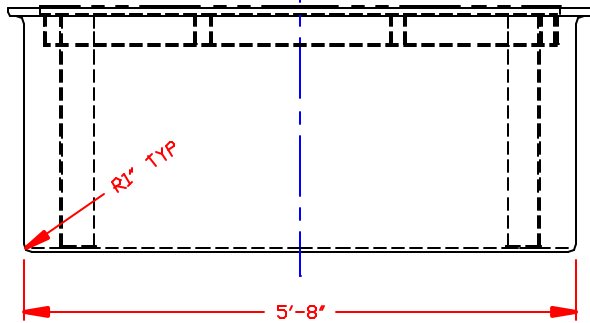
NOZZLE SCHEDULE & ACCESSORIES					
SERVICE	MK	STOCK NO.	SIZE	FITTING	DEG ELEV



63' LONG X 51' WIDE X 29' HIGH  
 STEEL STAND  
 STOCK NO. 3500

**NOTES**

1. THIS IS A COMPUTER GENERATED DWG. DO NOT REVISE BY HAND.
2. DIMENSIONS WILL VARY ±3% DUE TO VARIATIONS IN MULTIPLE MOLDS & CONDITIONS PREVALENT DURING MANUFACTURE & USAGE.
3. FOR DETAILS OF 440 GALLON RECTANGULAR SECONDARY CONTAINMENT SEE COMPUTER FILE NO. 5100440. FOR DETAILS OF 63' LONG X 51' WIDE X 29' HIGH STEEL STAND SEE COMPUTER FILE NO. M3500.



CALCULATED CAPACITIES/ VOLUME IN U.S. GALLONS
DESIGN CAPACITY
440

CONFIDENTIAL PROPERTY OF  
 POLY PROCESSING COMPANY  
 NOT FOR REPRINT OR USE  
 WITHOUT PERMISSION

NOTE: CAPACITIES OF RECTANGULAR SECONDARY CONTAINMENT BASINS MAY BE SIGNIFICANTLY LESS THAN NOMINAL VOLUME WITHOUT ADEQUATE EXTERNAL SUPPORT.

DWG TITLE			
440 GALLON RECTANGULAR SECONDARY CONTAINMENT W/63' LONG X 51' WIDE X 29' HIGH STEEL STAND			
SCALE:	3/4"=1'-0"	<b>POLY          PROCESSING</b>	DR:
DATE:	1/4/00		MB WILKERSON
		<small>PA. REG. 408 CHIEF          STATE OF PENNSYLVANIA          HARRISBURG, PA. 17104          PPL 215-215-5725</small>	CHK:
			D. RECTOR
		SHEET	COMPUTER FILE
		1 OF 1	5100440S
			REV
			-