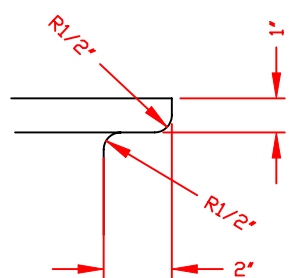
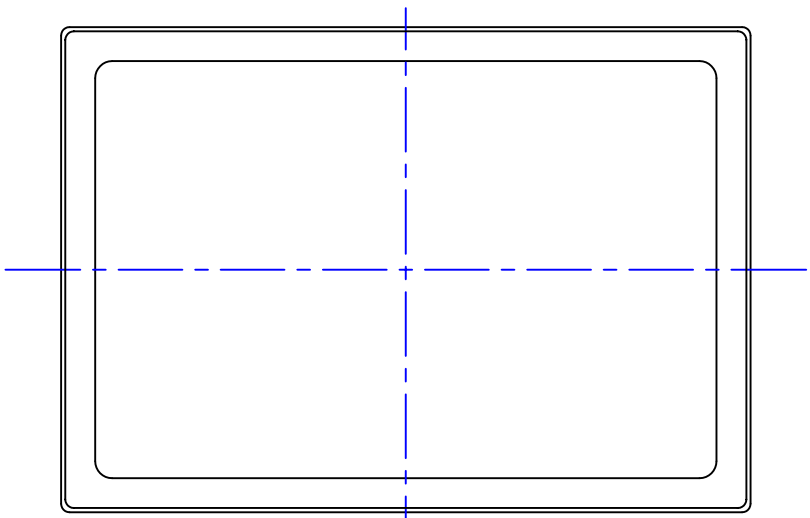


NON-CONTROLLED COPY
 INFORMATION SUBJECT TO CHANGE WITHOUT NOTICE
 COPY WILL NOT BE UPDATED

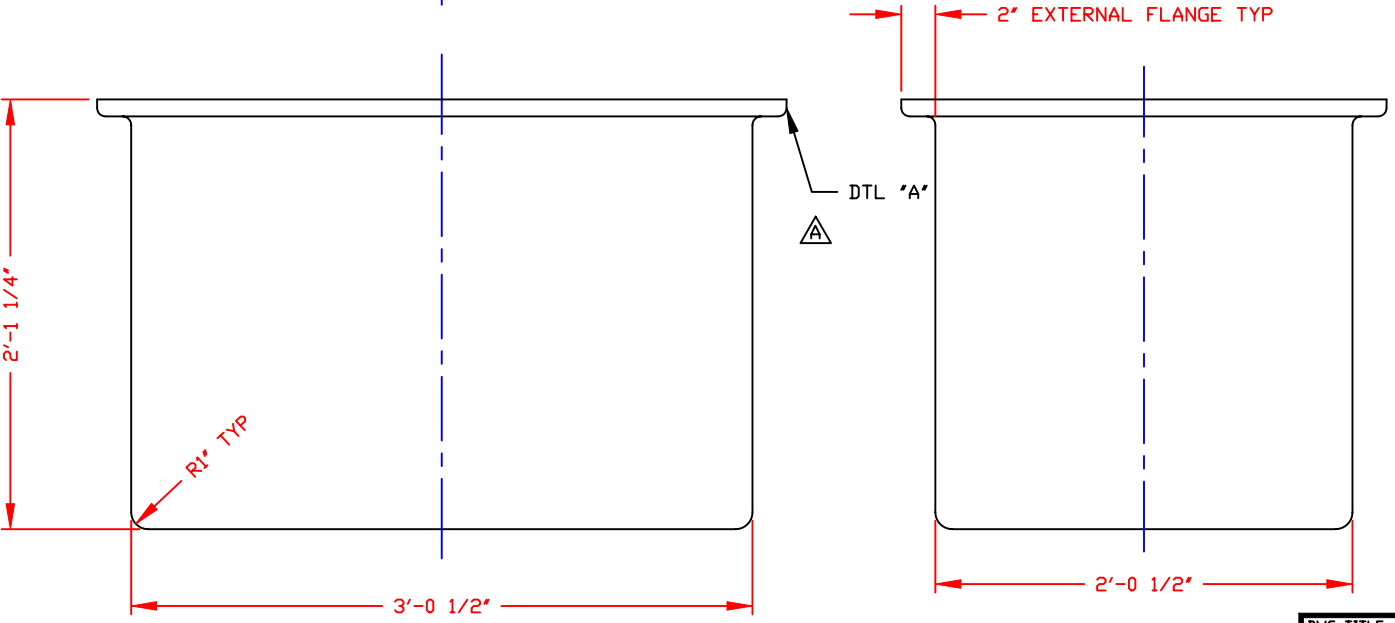
COPY ISSUED BY.....
 COPY ISSUED ON.....

| NOZZLE SCHEDULE & ACCESSORIES | | | | | |
|-------------------------------|----|-----------|------|---------|----------|
| SERVICE | MK | STOCK NO. | SIZE | FITTING | DEG ELEV |
| | | | | | |
| | | | | | |
| | | | | | |
| | | | | | |
| | | | | | |
| | | | | | |
| | | | | | |
| | | | | | |
| | | | | | |
| | | | | | |
| | | | | | |
| | | | | | |
| | | | | | |
| | | | | | |



DETAIL 'A'
 SCALE: 3"=1'-0"

NOTES:
 1. THIS IS A COMPUTER GENERATED DWG. DO NOT REVISE BY HAND.
 2. DIMENSIONS WILL VARY ±3% DUE TO VARIATIONS IN MULTIPLE MOLDS & CONDITIONS PREVALENT DURING MANUFACTURE & USAGE.
 3. NO GALLONAGE MARKERS THIS TANK.



| |
|--|
| CALCULATED CAPACITIES/ VOLUME IN U.S. GALLONS |
| DESIGN CAPACITY |
| 80 |

CONFIDENTIAL PROPERTY OF
 POLY PROCESSING COMPANY
 NOT FOR REPRINT OR USE
 WITHOUT PERMISSION

NOTE: CAPACITIES OF RECTANGULAR SECONDARY CONTAINMENT BASINS MAY BE SIGNIFICANTLY LESS THAN NOMINAL VOLUME WITHOUT ADEQUATE EXTERNAL SUPPORT.

DWG TITLE
80 GALLON RECTANGULAR SECONDARY CONTAINMENT

SCALE: 1 1/2"=1'-0"

DATE: 1/3/00

POLY PROCESSING Company

Central Region
 P.O. Box 4150 71211
 2201 Old Stevington Rd.
 Monroe, LA 71203
 (504) 343-7245
 FAX (504) 343-6795

DR: MB WILKERSON
 CK: D. RECTOR

SHEET 1 OF 1
 COMPUTER FILE 5100080
 REV A

21-3