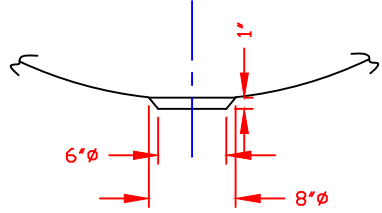
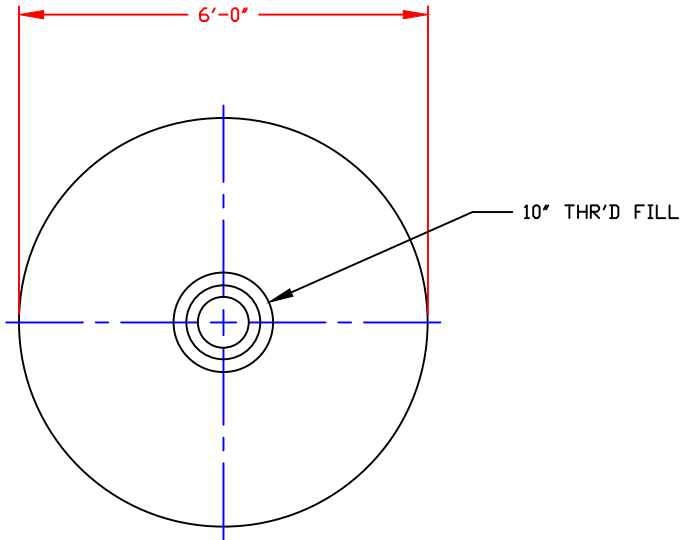
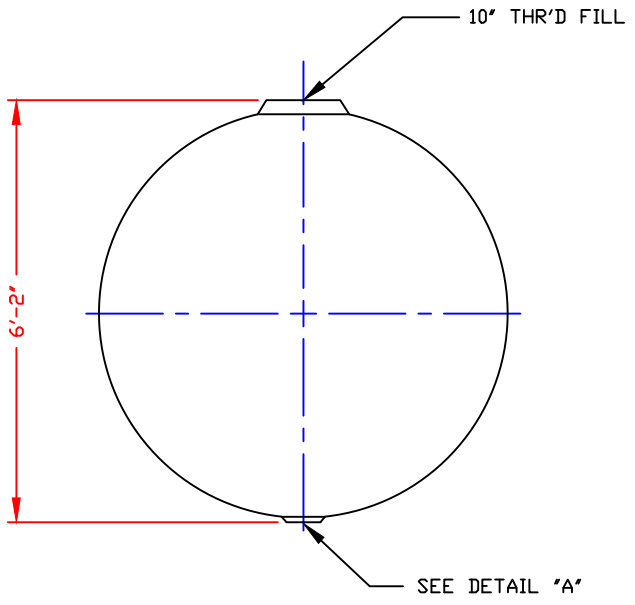


NON-CONTROLLED COPY
 INFORMATION SUBJECT TO CHANGE WITHOUT NOTICE
 VERIFY REV LEVEL OF PAPER COPY WITH REV LEVEL ON PPC WEB SITE




DETAIL "A"
 SUMP
 SCALE: 1" = 1'-0"



- NOTES**
1. THIS IS A COMPUTER GENERATED DRAWING. DO NOT REVISE BY HAND.
 2. DIMENSIONS WILL VARY $\pm 3\%$ DUE TO VARIATIONS IN MULTIPLE MOLDS & CONDITIONS PREVELANT DURING MANUFACTURE & USAGE
 3. MOLDED IN GALLONAGE MARKERS ON SIDEWALL IN 50 GALLON INCREMENTS UP TO 750 GALLONS. FINAL INCREMENT 780 GALLONS

CONFIDENTIAL PROPERTY OF
 POLY PROCESSING COMPANY
 NOT FOR REPRINT OR USE
 WITHOUT PERMISSION

DWG TITLE			
825 GALLON SPHERE			
SCALE:	1/2"=1'-0"		DR: J. BRANTLEY
DATE:	2/27/09	Central Region P.O. Box 4150 (71211) 2201 Old Sterlington Rd. Monroeville, LA 71203 (504) 343-7565 FAX (504) 343-8795	CK: W. MANUEL
		SHEET	COMPUTER FILE
		1 OF 1	46000825
		REV	-