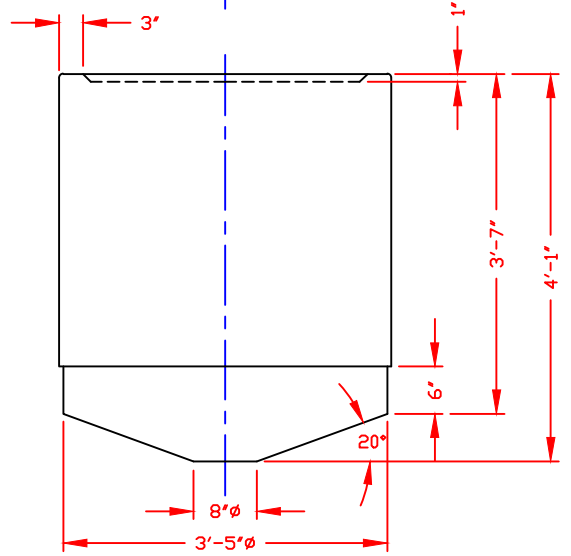
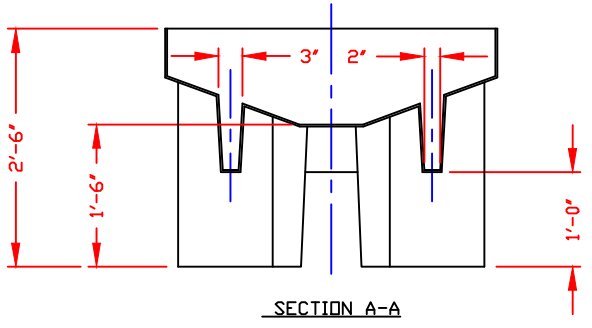
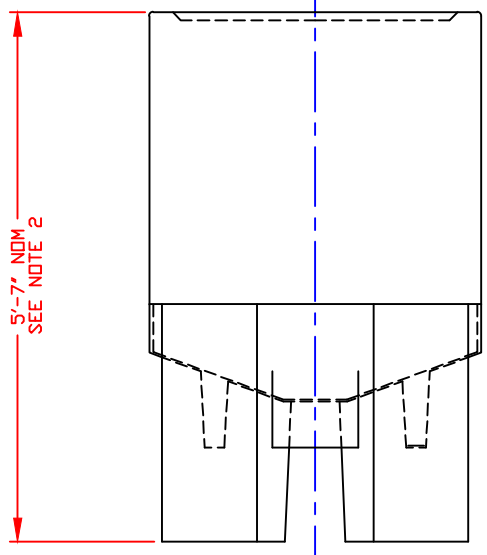
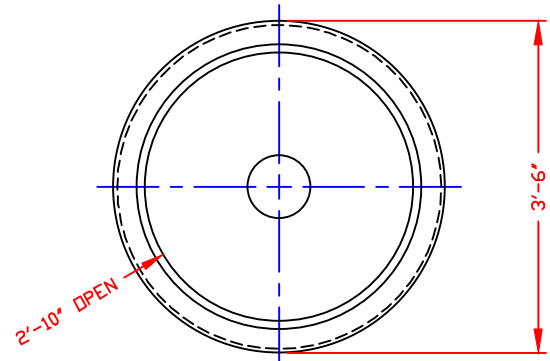
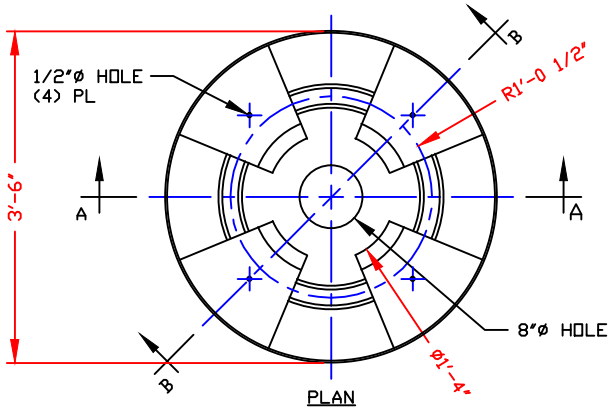
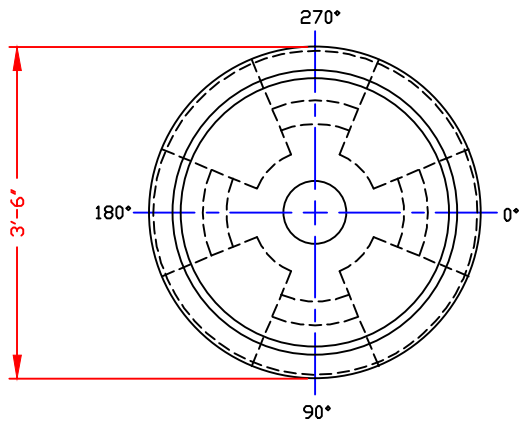
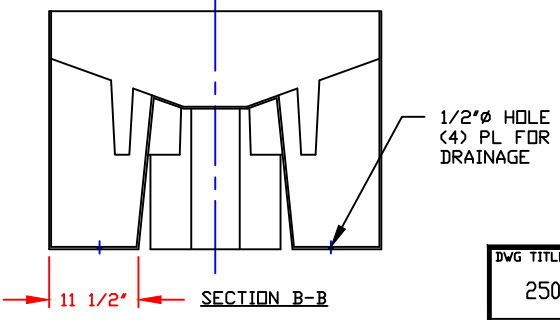


NON-CONTROLLED COPY
 INFORMATION SUBJECT TO CHANGE WITHOUT NOTICE
 VERIFY REV LEVEL OF PAPER COPY WITH REV LEVEL ON PPC WEB SITE



NOTE:
 MUST USE FLEXIBLE CONNECTIONS ALL LOWER SIDEWALL FITTINGS



TANK AND STAND ASSEMBLY

STAND DETAILS

TANK DETAILS

CALCULATED CAPACITIES/ VOLUME IN U.S. GALLONS DESIGN CAPACITY 258
--

CONFIDENTIAL PROPERTY OF
 POLY PROCESSING COMPANY
 NOT FOR REPRINT OR USE
 WITHOUT PERMISSION

- NOTES**
- THIS IS A COMPUTER GENERATED DWG. DO NOT REVISE BY HAND.
 - DIMENSIONS WILL VARY ±3% DUE TO VARIATIONS IN MULTIPLE MOLDS & CONDITIONS PREVALENT DURING MANUFACTURE & USAGE. TANK MAY SETTLE INTO STAND CAUSING VARIATIONS IN OVERALL HEIGHT DIMENSIONS.
 - NO GALLONAGE MARKERS THIS TANK.

REV 'A' ADDED FITTING NOTE BY:JB 11/7/03 CK:MBW

DWG TITLE 250 GAL OPEN TOP 20° ALL PLASTIC CONE TANK W/STAND		Central Region P.O. Box 4158 (71553) 8251 Old Springing Rd. Norcross, GA 30092 (770) 243-7500 FAX (770) 243-6795		DR: MB WILKERSON
SCALE: 3/4"=1'-0"			CK: D. RECTOR	
DATE: 2/3/00	SHEET 1 OF 1	COMPUTER FILE 4300250	REV A	