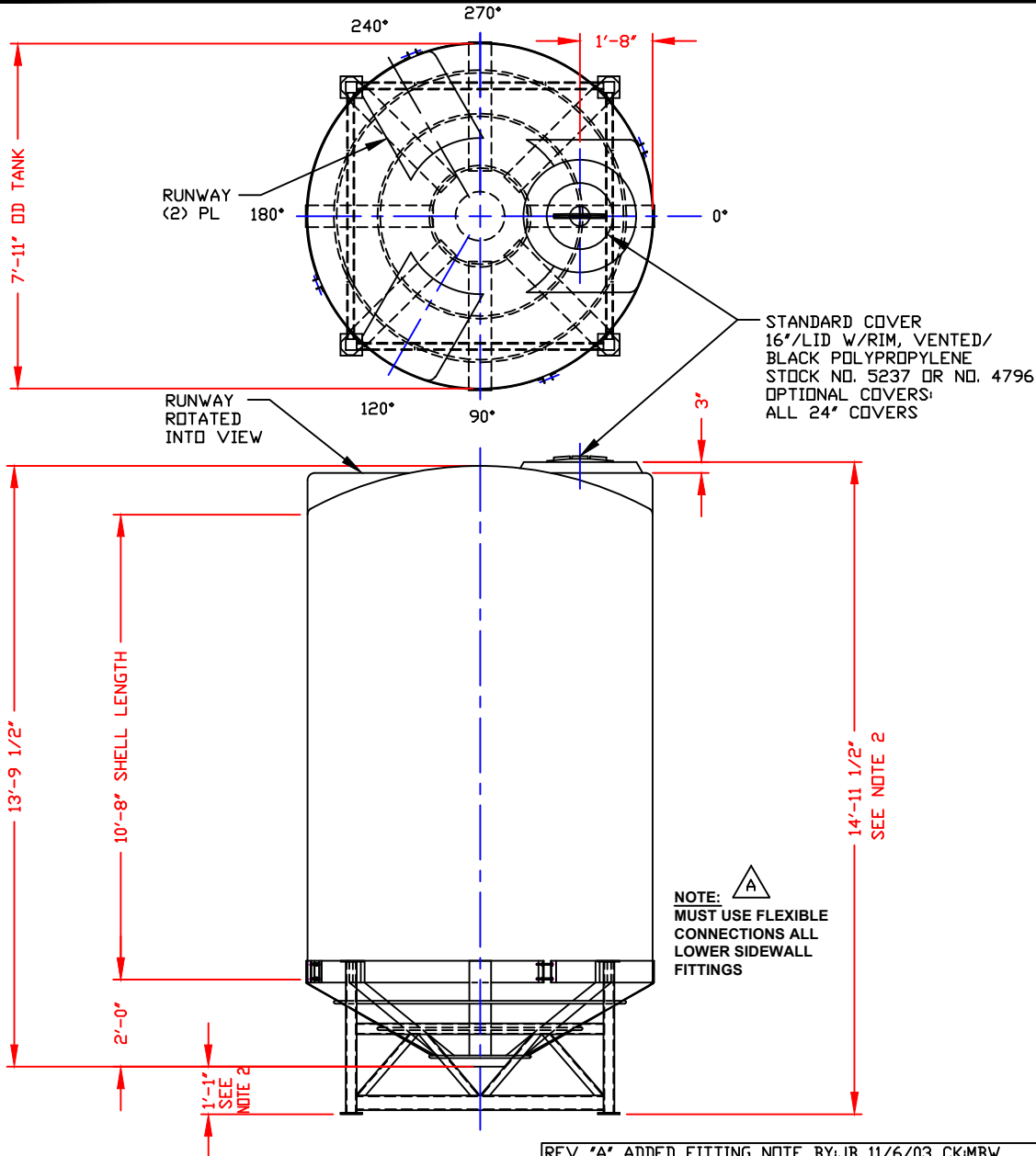


NON-CONTROLLED COPY
 INFORMATION SUBJECT TO CHANGE WITHOUT NOTICE
 VERIFY REV LEVEL OF PAPER COPY WITH REV LEVEL ON PPC WEB SITE




NOZZLE SCHEDULE & ACCESSORIES						
SERVICE	MK	STOCK NO.	SIZE	FITTING	DEG	ELEV

- NOTES**
1. THIS IS A COMPUTER GENERATED DWG. DO NOT REVISE BY HAND.
 2. DIMENSIONS WILL VARY ±3% DUE TO VARIATIONS IN MULTIPLE MOLDS & CONDITIONS PREVALENT DURING MANUFACTURE & USAGE. WHEN FILLED, TANK MAY SETTLE IN STAND CAUSING VARIATIONS IN BOTTOM CLEARANCE & OVERALL HEIGHT DIMENSIONS.
 3. MOLDED IN GALLONAGE MARKERS IN MANWAY AREA STARTING AT 300 GALLONS IN 100 GALLON INCREMENTS UP TO 4000 GALLONS.

CALCULATED CAPACITIES/ VOLUME IN U.S. GALLONS		
DESIGN CAP	DOME VOL	TOTAL VOL
4141	198	4339

CONFIDENTIAL PROPERTY OF
 POLY PROCESSING COMPANY
 NOT FOR REPRINT OR USE
 WITHOUT PERMISSION

NOTE: A
 MUST USE FLEXIBLE
 CONNECTIONS ALL
 LOWER SIDEWALL
 FITTINGS

DWG TITLE			
4100 GALLON 30° CONE BOTTOM TANK W/STAND			
SCALE:	3/8"=1'-0"	 Central Region P.O. Box 4589 Grand 2201 Old Springton Rd. Harvey, LA 70059 CISO 343-7563 FAX CISO 343-8795	DR: MB WILKERSON
DATE:	2/3/00		CK: D. RECTOR
SHEET		COMPUTER FILE	REV
1 OF 1		4004100S	A

REV 'A' ADDED FITTING NOTE BY:JB 11/6/03 CK:MBW