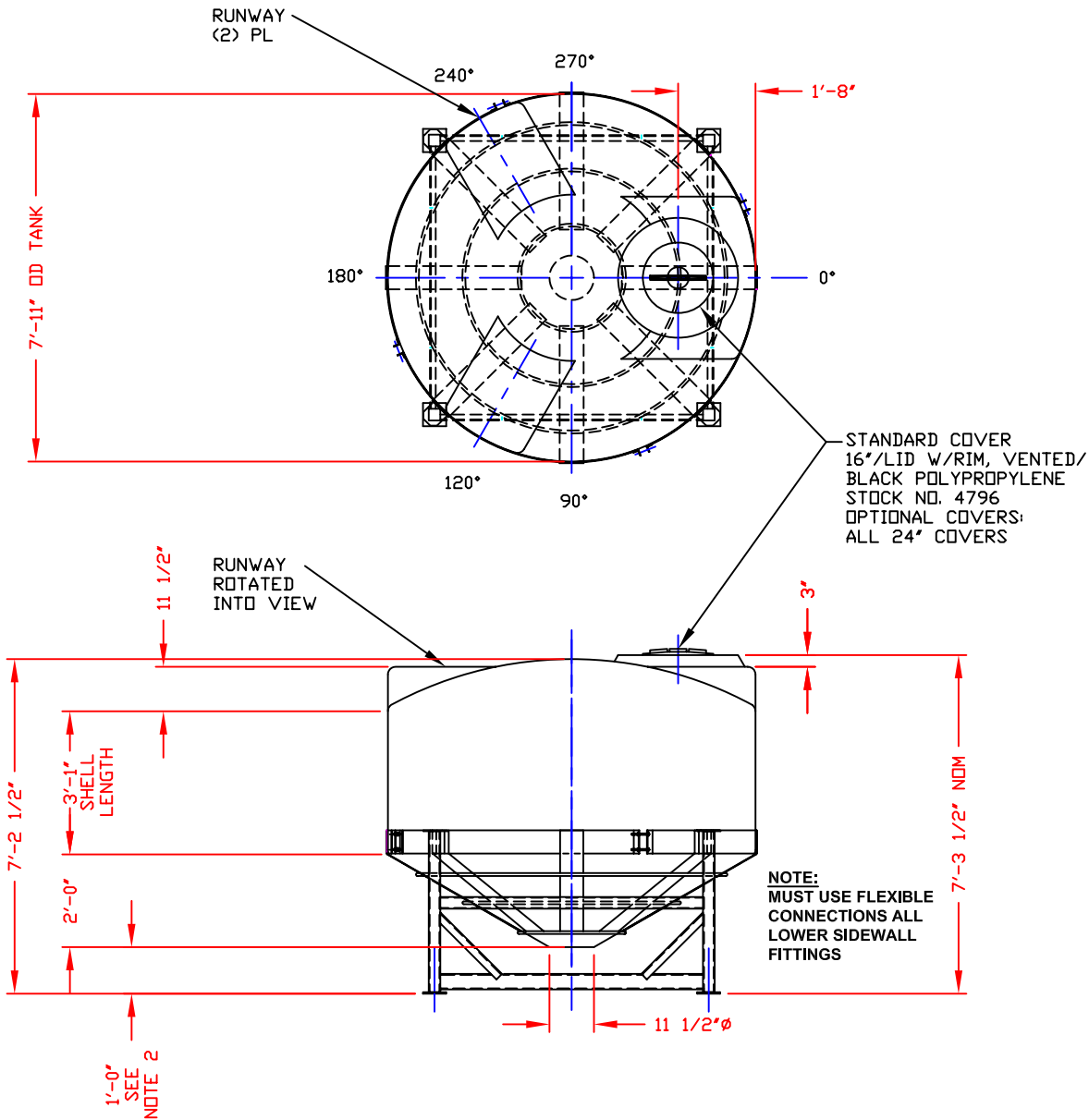


NON-CONTROLLED COPY  
 INFORMATION SUBJECT TO CHANGE WITHOUT NOTICE  
 VERIFY REV LEVEL OF PAPER COPY WITH REV LEVEL ON PPC WEB SITE



NOZZLE SCHEDULE & ACCESSORIES					
SERVICE	MK	STOCK NO.	SIZE	FITTING	DEG ELEV

- NOTES**
1. THIS IS A COMPUTER GENERATED DWG. DO NOT REVISE BY HAND.
  2. DIMENSIONS WILL VARY ±3% DUE TO VARIATIONS IN MULTIPLE MOLDS & CONDITIONS PREVALENT DURING MANUFACTURE & USAGE. WHEN FILLED, TANK MAY SETTLE IN STAND CAUSING VARIATIONS IN BOTTOM CLEARANCE & OVERALL HEIGHT DIMENSIONS.
  3. MOLDED IN GALLONAGE MARKERS IN MANWAY AREA IN 100 GALLON INCREMENTS UP TO 1600 GALLONS.

CALCULATED CAPACITIES/ VOLUME IN U.S. GALLONS		
DESIGN CAP	DOME VOL	TOTAL VOL
1396	198	1594

CONFIDENTIAL PROPERTY OF  
 POLY PROCESSING COMPANY  
 NOT FOR REPRINT OR USE  
 WITHOUT PERMISSION

DWG TITLE  
**1400 GAL 30° CONE BOTTOM TANK W/STAND**

SCALE: 3/8"=1'-0"

DATE: 1/15/08

Western Region  
 P.O. Box 80  
 9055 South Ash Street  
 French Camp, CA 95231  
 (209) 982-4904  
 FAX (209) 982-0455

DR: J. BRANTLEY  
 CK: W. MANUEL

SHEET 1 OF 1  
 COMPUTER FILE 14001400S  
 REV -