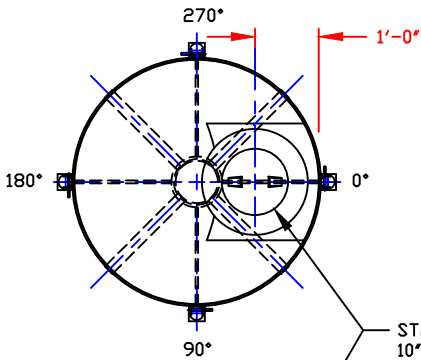
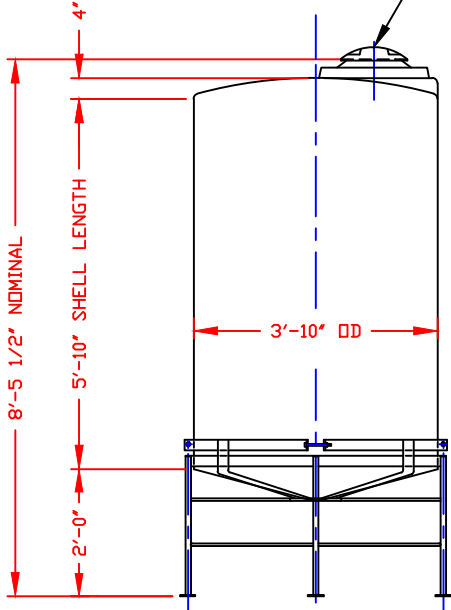


NON-CONTROLLED COPY
 INFORMATION SUBJECT TO CHANGE WITHOUT NOTICE
 VERIFY REV LEVEL OF PAPER COPY WITH REV LEVEL ON PPC WEB SITE

NOZZLE SCHEDULE & ACCESSORIES					
SERVICE	MK	STOCK NO.	SIZE	FITTING	DEG ELEV



STANDARD COVER:
 10"/THREADED MUSHROOM LID/BLACK/PE
 STOCK NO. 4791 A




NOTE: B
 MUST USE FLEXIBLE
 CONNECTIONS ALL
 LOWER SIDEWALL
 FITTINGS

- NOTES**
1. THIS IS A COMPUTER GENERATED DWG. DO NOT REVISE BY HAND.
 2. DIMENSIONS WILL VARY ±3% DUE TO VARIATIONS IN MULTIPLE MOLDS & CONDITIONS PREVALENT DURING MANUFACTURE & USAGE.
 3. MOLDED IN GALLONAGE MARKERS IN MANWAY AREA ON SIDE WALL IN 50 GAL INCREMENTS UP TO 500 GAL.

CALCULATED CAPACITIES/ VOLUME IN U.S. GALLONS		
DESIGN CAP	DOME VOL	TOTAL VOL
512	22	534

CONFIDENTIAL PROPERTY OF
 POLY PROCESSING COMPANY
 NOT FOR REPRINT OR USE
 WITHOUT PERMISSION

DWG TITLE 510 GALLON 15° CONE BOTTOM TANK W/2 FT STAND			
SCALE: 1/2"=1'-0"	 POLYPROCESSING COMPANY	Central Region <small>P.O. Box 4159 71821D 2511 Old Springton Rd. Monroe, LA 71203 CSD 343-7563 FAX CSD 343-9795</small>	DR: MB WILKERSON
DATE: 2/1/00		CK: D. RECTOR	
SHEET 1 OF 1		COMPUTER FILE 4000510S	REV B

REV "B" ADDED FITTING NOTE BY:JB 11/5/03 CK:MBW
 REV "A" REVISED LID BY:JB 11/5/03 CK:MBW