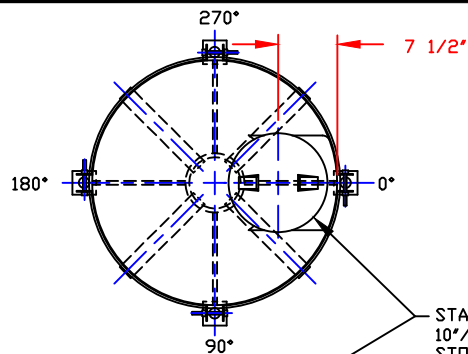
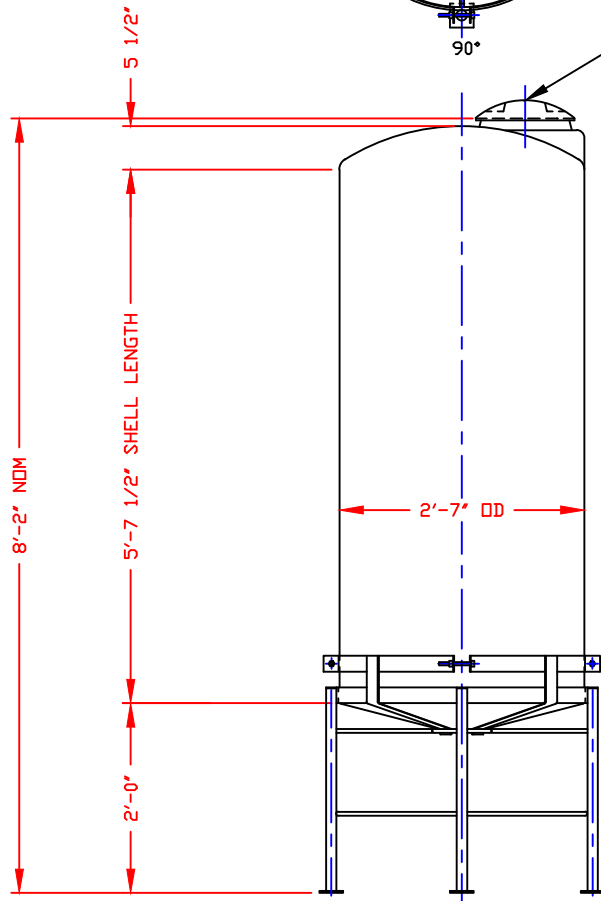


NON-CONTROLLED COPY  
 INFORMATION SUBJECT TO CHANGE WITHOUT NOTICE  
 VERIFY REV LEVEL OF PAPER COPY WITH REV LEVEL ON PPC WEB SITE



STANDARD COVER:  
 10"/THREADED MUSHROOM LID/BLACK/PE  
 STOCK NO. 4791




NOTE:   
 MUST USE FLEXIBLE  
 CONNECTIONS ALL  
 LOWER SIDEWALL  
 FITTINGS

NOZZLE SCHEDULE & ACCESSORIES						
SERVICE	MK	STOCK NO.	SIZE	FITTING	DEG	ELEV

- NOTES**
1. THIS IS A COMPUTER GENERATED DWG. DO NOT REVISE BY HAND.
  2. DIMENSIONS WILL VARY ±3% DUE TO VARIATIONS IN MULTIPLE MOLDS & CONDITIONS PREVALENT DURING MANUFACTURE & USAGE.
  3. MOLDED IN GALLONAGE MARKERS @ 0° IN 50 GAL INCREMENTS UP TO 200 GAL.
  4. FOR TANK DETAILS SEE DWG COMPUTER FILE 4000220.

CALCULATED CAPACITIES/ VOLUME IN U.S. GALLONS		
DESIGN CAP	DOME VOL	TOTAL VOL
222	7	229

CONFIDENTIAL PROPERTY OF  
 POLY PROCESSING COMPANY  
 NOT FOR REPRINT OR USE  
 WITHOUT PERMISSION

DWG TITLE			
220 GALLON 15° CONE BOTTOM TANK W/2 FT STAND			
SCALE:	3/4"=1'-0"	 Central Region P.O. Box 4580 (7505) 25th Dist Swarthington Rd. Norwiche, LA 72605 CS&D 343-7863 FAX CS&D 343-9795	DR: D. RECTOR
DATE:	1-12-00		CK: J. BRANTLEY
REV "B" ADDED FITTING NOTE BY:JB 6/10/03 CK:MBW		SHEET	COMPUTER FILE
REV "A" REVISED LID BY:JB 6/10/03 CK:MBW		1 OF 1	4000220S B

REV "B" ADDED FITTING NOTE BY:JB 6/10/03 CK:MBW  
 REV "A" REVISED LID BY:JB 6/10/03 CK:MBW