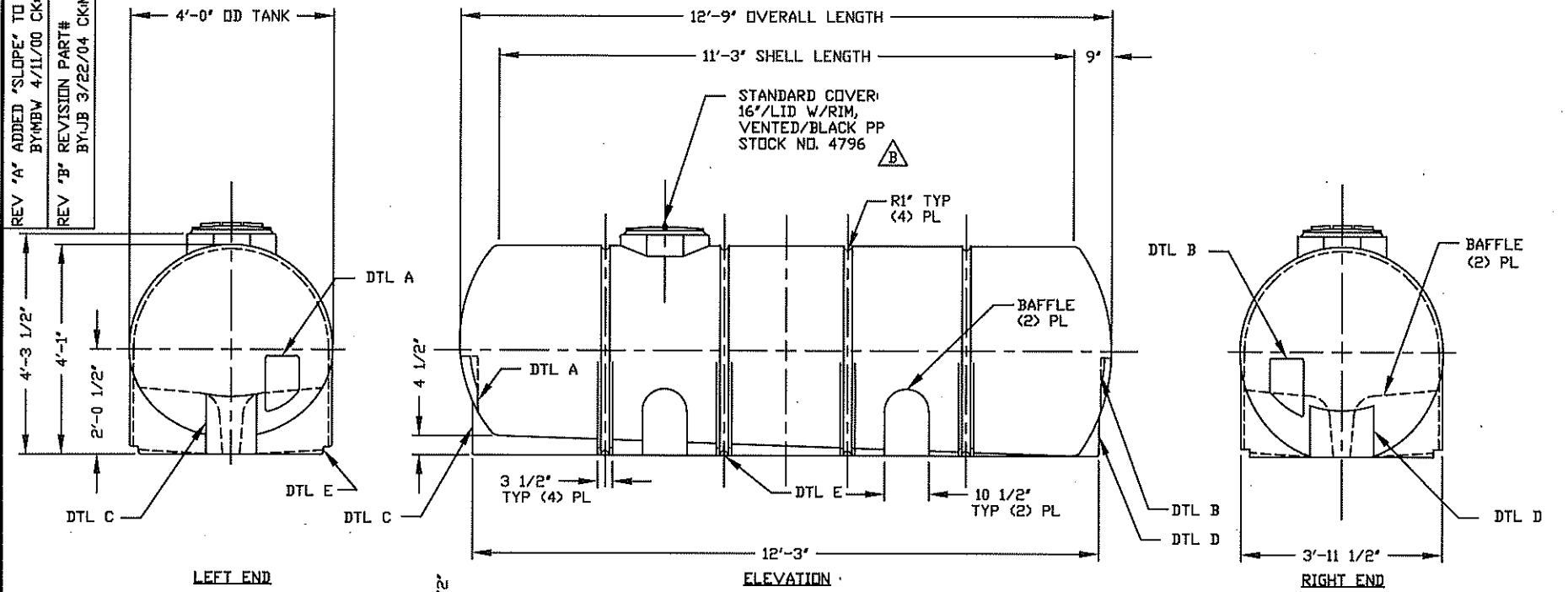
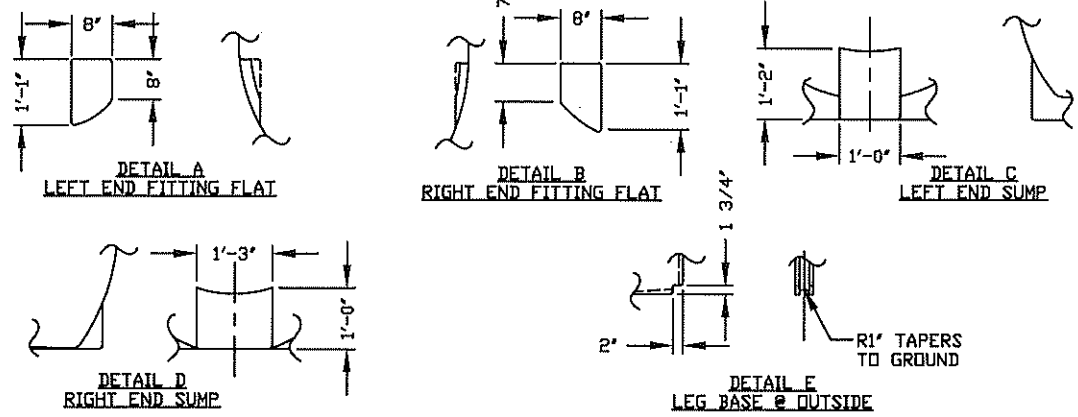


NON-CONTROLLED COPY
 INFORMATION SUBJECT TO CHANGE WITHOUT NOTICE
 VERIFY REV LEVEL OF PAPER COPY WITH REV LEVEL ON PPC WEB SITE

REV 'A' ADDED 'SLOPE' TO TITLE
 BY:MBW 4/11/00 CK:DR
 REV 'B' REVISION PART#
 BY:JB 3/22/04 CK:MBV



NOTES
 1. THIS IS A COMPUTER GENERATED DWG. DO NOT REVISE BY HAND.
 2. DIMENSIONS WILL VARY ±3% DUE TO VARIATIONS IN MULTIPLE MOLDS & CONDITIONS PREVALENT DURING MANUFACTURE & USAGE.
 3. MOLDED IN GALLONAGE MARKERS IN 100 GALLON INCREMENTS UP TO 1000 GALLONS, WITH TIC MARKS EVERY 50 GALLONS ON BOTH ENDS.



CALCULATED CAPACITIES/ VOLUME IN U.S. GALLONS
DESIGN CAPACITY
1050

CONFIDENTIAL PROPERTY OF
 POLY PROCESSING COMPANY
 NOT FOR REPRINT OR USE
 WITHOUT PERMISSION

DWG TITLE A 1050 GALLON HORIZONTAL SLOPE LEG TANK		
SCALE: 1/2"=1'-0"	 Central Region 124 West 42nd Street Erie PA 16590-0001 Phone: 814-765-1100 Fax: 814-765-1105	DR: MB WILKERSON
DATE: 2/9/00		CK: D. RECTOR
SHEET 1 OF 1		COMPUTER FILE 3401050
		REV B