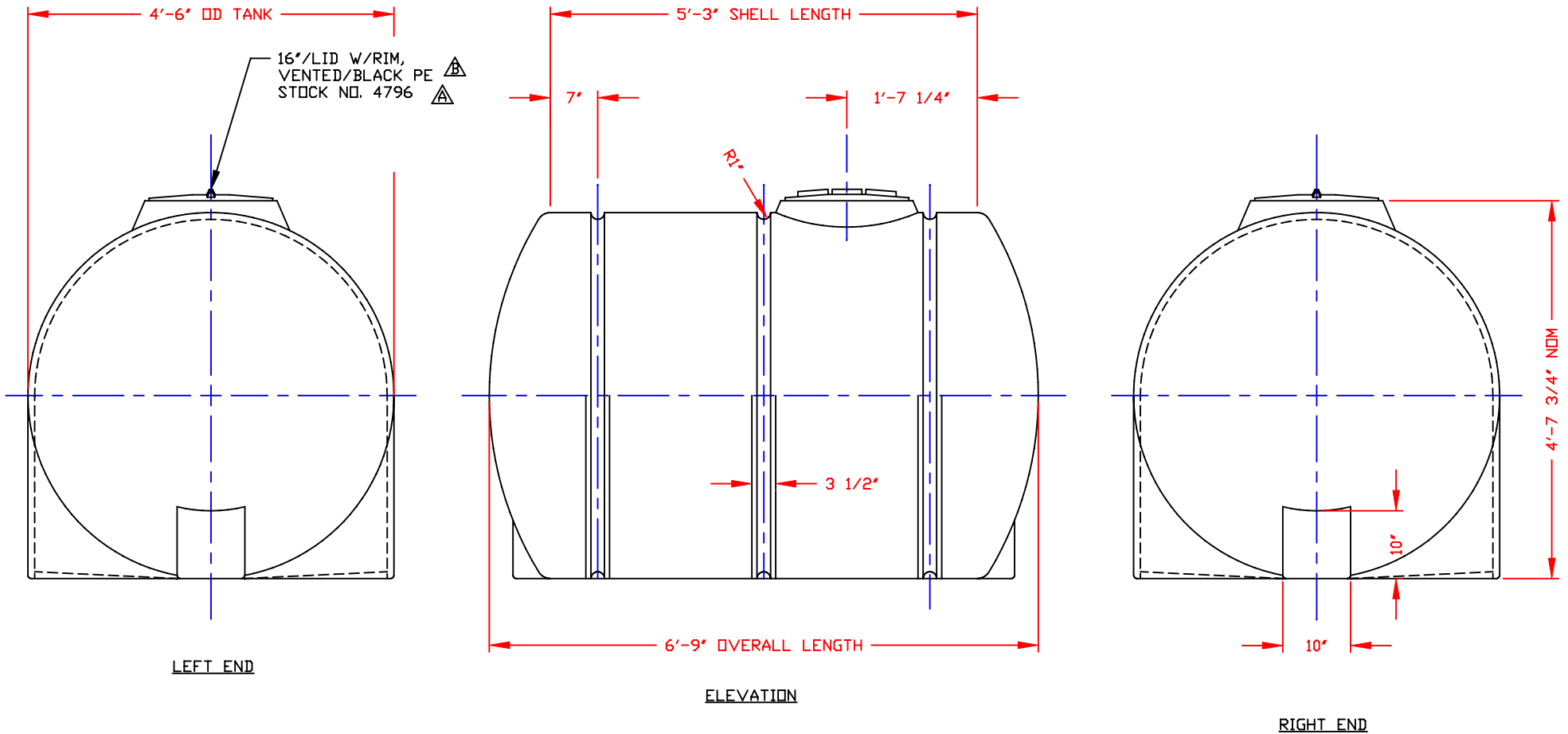



NON-CONTROLLED COPY  
 INFORMATION SUBJECT TO CHANGE WITHOUT NOTICE  
 VERIFY REV LEVEL OF PAPER COPY WITH REV LEVEL ON PPC WEB SITE



- NOTES**
1. THIS IS A COMPUTER GENERATED DWG. DO NOT REVISE BY HAND.
  2. DIMENSIONS WILL VARY ±3% DUE TO VARIATIONS IN MULTIPLE MOLDS & CONDITIONS PREVALENT DURING MANUFACTURE & USAGE.
  3. MOLDED IN GALLONAGE MARKERS IN BOTH ENDS IN 100 GALLON INCREMENTS UP TO 700 GALLONS WITH TIC MARKS EVERY 50 GALLONS.

CALCULATED CAPACITY
VOLUME IN U.S. GALLONS
DESIGN CAPACITY
701

CONFIDENTIAL PROPERTY OF  
 POLY PROCESSING COMPANY  
 NOT FOR REPRINT OR USE  
 WITHOUT PERMISSION

DWG TITLE		700 GALLON HORIZONTAL LEG TANK	
SCALE:	3/4"=1'-0"	 <b>POLYPROCESSING</b> COMPANY	DR: MB WILKERSON
DATE:	2/1/00		CK: D. RECTOR
REV "B" DID SAY "...BLACK PP" BY: JB 5/21/07 CK: MBW		SHEET	COMPUTER FILE
REV. A REVISION PART # BY: JB 3/22/04 CK: MBW		1 OF 1	3400700 B