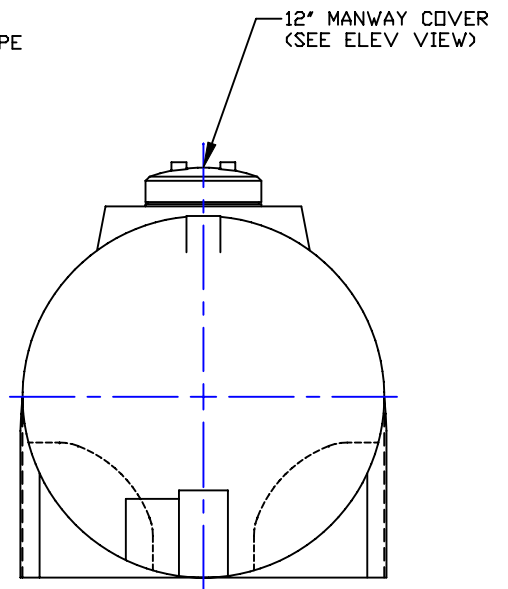
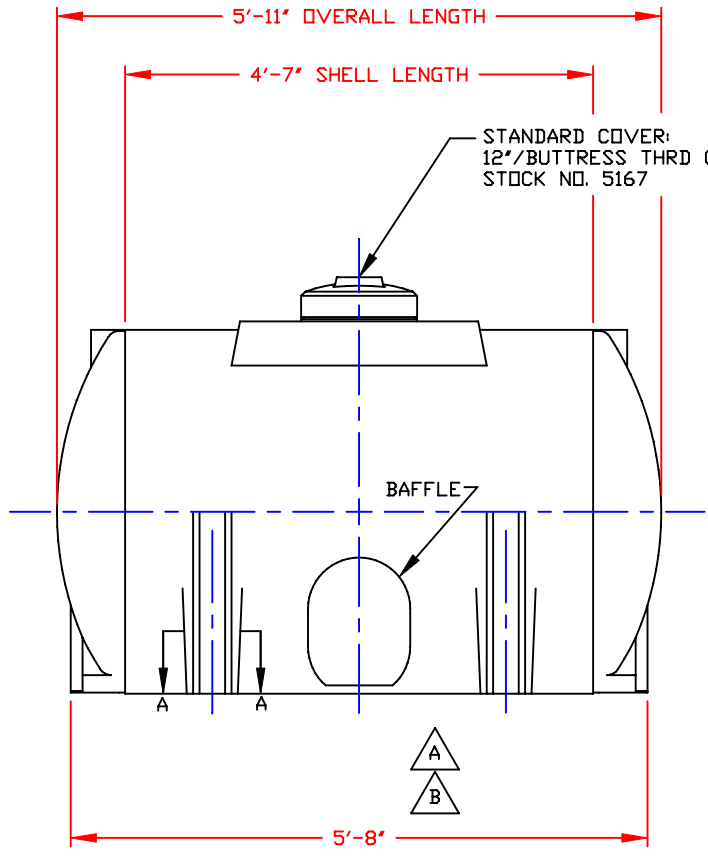
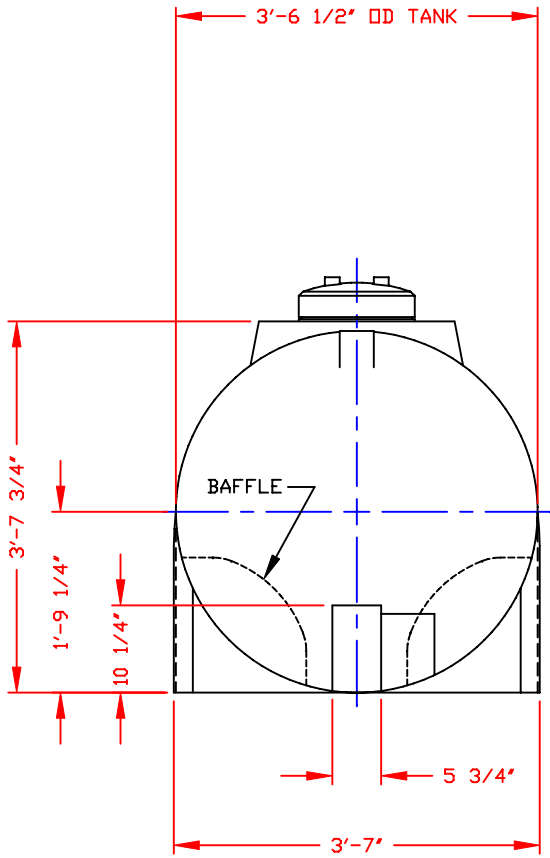
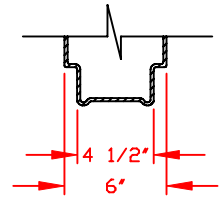


NON-CONTROLLED COPY
 INFORMATION SUBJECT TO CHANGE WITHOUT NOTICE
 VERIFY REV LEVEL OF PAPER COPY WITH REV LEVEL ON PPC WEB SITE



- NOTES**
1. THIS IS A COMPUTER GENERATED DWG. DO NOT REVISE BY HAND.
 2. DIMENSIONS WILL VARY ±3% DUE TO VARIATIONS IN MULTIPLE MOLDS & CONDITIONS PREVALENT DURING MANUFACTURE & USAGE.
 3. MOLD IN GALLONAGE MARKERS IN BOTH ENDS IN 50 GAL INCREMENTS UP TO 350 GAL. AVOID WHEN PLACING FITTINGS.



SECTION A-A
 SCALE: 1 1/2"=1'0"

CALCULATED CAPACITIES/ VOLUME IN U.S. GALLONS
DESIGN CAPACITY
410

CONFIDENTIAL PROPERTY OF
 POLY PROCESSING COMPANY
 NOT FOR REPRINT OR USE
 WITHOUT PERMISSION

DWG TITLE			
410 GALLON HORIZONTAL LEG TANK			
SCALE:	3/4"=1'-0"	 POLYPROCESSING COMPANY	DR:
DATE:	2/9/00		CK:
REV "B" REMOVED BAFFLE NOTE BY:JB 12/8/05 CK:MBW		SHEET	COMPUTER FILE
REV "A" ADDED BAFFLE NOTE BY:MBW 2/25/02 CK:JB		1 OF 1	3400410
		REV	B