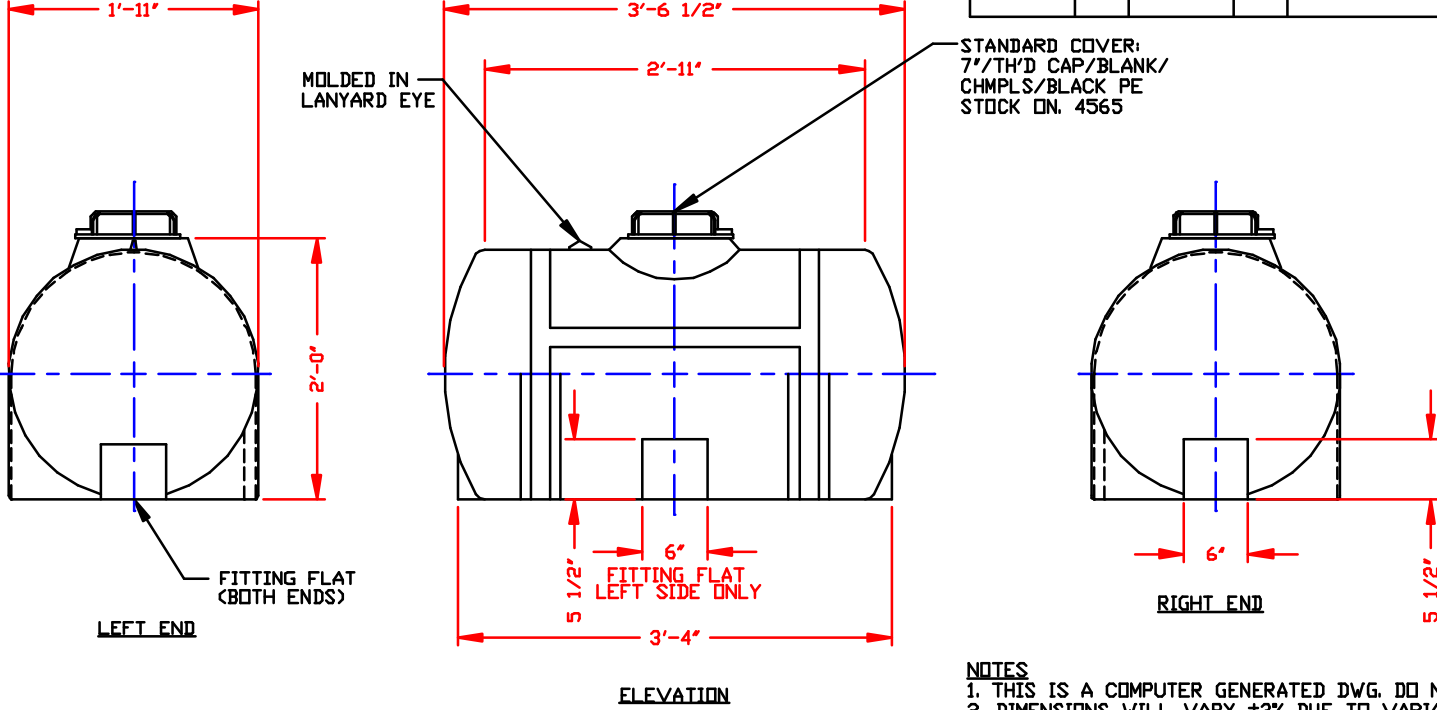


NON-CONTROLLED COPY
 INFORMATION SUBJECT TO CHANGE WITHOUT NOTICE
 COPY WILL NOT BE UPDATED

COPY ISSUED BY.....
 COPY ISSUED ON.....

NOZZLE SCHEDULE & ACCESSORIES					
SERVICE	MK	STOCK NO.	SIZE	FITTING	DEG ELEV



- NOTES**
1. THIS IS A COMPUTER GENERATED DWG. DO NOT REVISE BY HAND.
 2. DIMENSIONS WILL VARY ±3% DUE TO VARIATIONS IN MULTIPLE MOLDS & CONDITIONS PREVALENT DURING MANUFACTURE & USAGE.
 3. MOLDED IN GALLONAGE MARKERS ON LEFT END IN 5 GAL INCREMENTS FROM 5 GAL TO 60 GAL.

CALCULATED CAPACITY	VOLUME IN U.S. GALLONS
DESIGN CAPACITY	65

CONFIDENTIAL PROPERTY OF
 POLY PROCESSING COMPANY
 NOT FOR REPRINT OR USE
 WITHOUT PERMISSION

DWG TITLE			
65 GALLON HORIZONTAL LEG TANK			
SCALE:	1"=1'-0"		DR: MB WILKERSON
DATE:	7/20/00		CK: J. BRANTLEY
SHEET		COMPUTER FILE	REV
1 OF 1		3400065	-