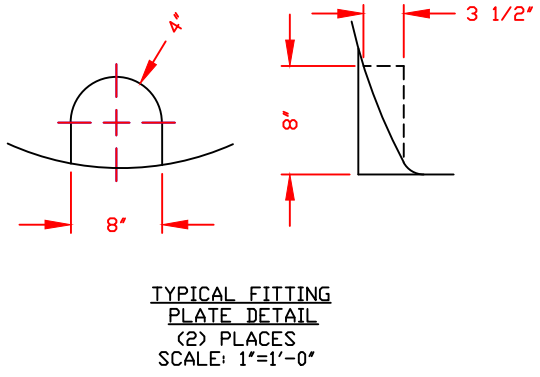
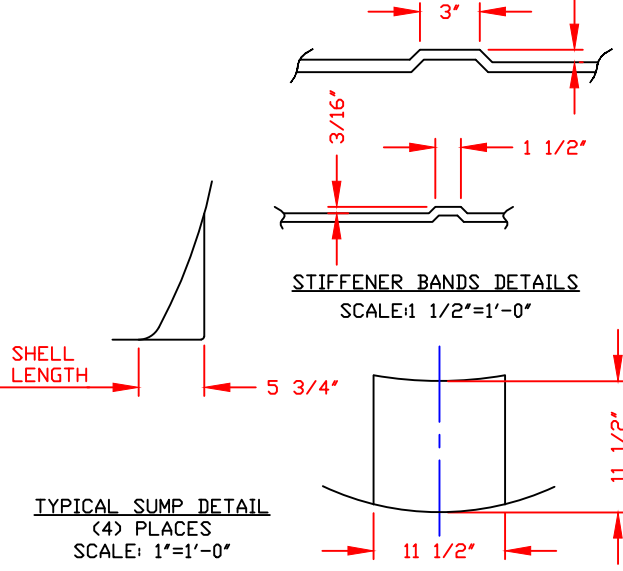
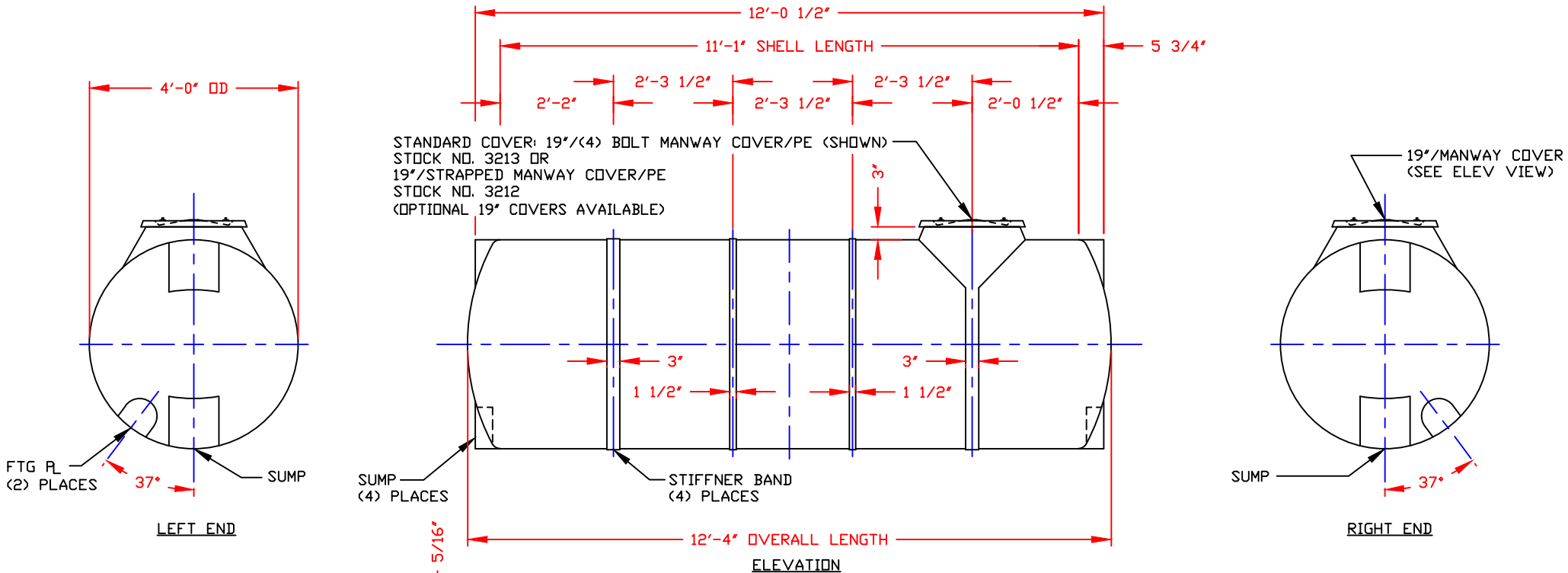


NON-CONTROLLED COPY  
 INFORMATION SUBJECT TO CHANGE WITHOUT NOTICE  
 VERIFY REV LEVEL OF PAPER COPY WITH REV LEVEL ON PPC WEB SITE



- NOTES**
1. THIS IS A COMPUTER GENERATED DWG. DO NOT REVISE BY HAND.
  2. DIMENSIONS WILL VARY ±3% DUE TO VARIATIONS IN MULTIPLE MOLDS & CONDITIONS PREVALENT DURING MANUFACTURE & USAGE.
  3. MOLDED IN GALLONAGE MARKERS IN 100 GALLON INCREMENTS UP TO 900 GALLON IN RIGHT END ONLY.

CALCULATED CAPACITY	VOLUME IN U.S. GALLONS
DESIGN CAPACITY	1065

CONFIDENTIAL PROPERTY OF  
 POLY PROCESSING COMPANY  
 NOT FOR REPRINT OR USE  
 WITHOUT PERMISSION

DWG TITLE		1050 GALLON HORIZONTAL TANK		
SCALE:	1/2"=1'-0"		Central Region	DR:
DATE:	1/20/00		<small>P.O. Box 4159 (71613)        2201 Old Star-Orleans Rd.        Monroe, LA 71203        CTRD 343-7543        FAX (504) 343-8795</small>	MB WILKERSON
		SHEET	COMPUTER FILE	REV
		1 OF 1	3001050	-