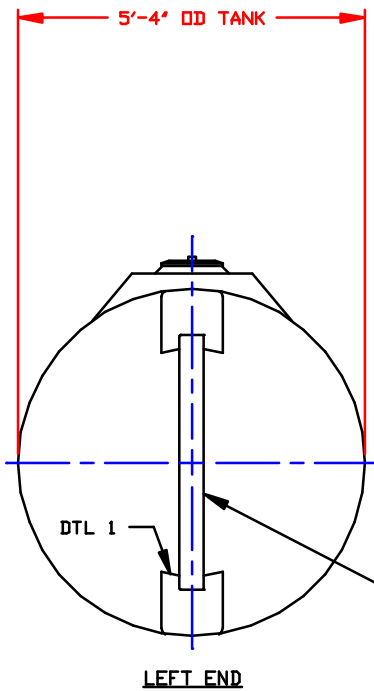
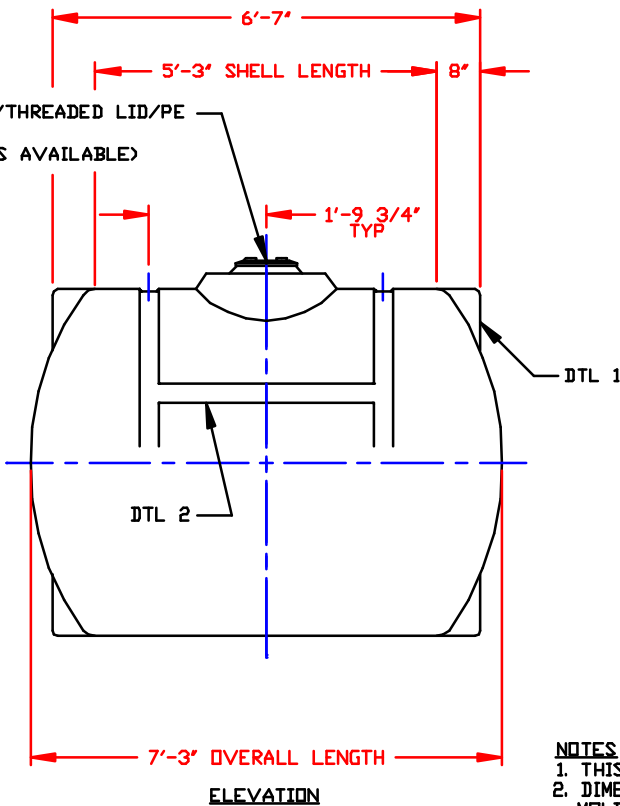


NON-CONTROLLED COPY
 INFORMATION SUBJECT TO CHANGE WITHOUT NOTICE
 COPY WILL NOT BE UPDATED

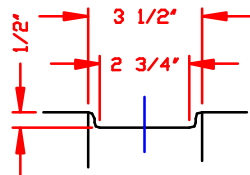
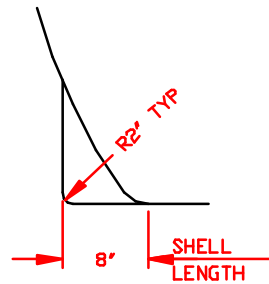
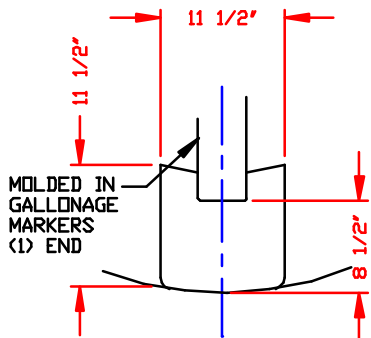
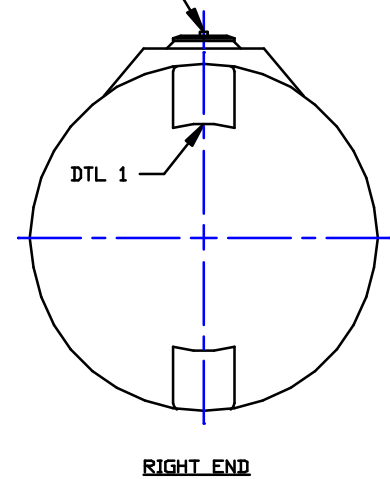
COPY ISSUED BY.....
 COPY ISSUED ON.....



STANDARD COVER: 10"/THREADED LID/PE
 STOCK #3211
 (OPTIONAL 19" COVERS AVAILABLE)



10"/MANWAY COVER
 (SEE ELEV VIEW)



NOTES

1. THIS IS A COMPUTER GENERATED DWG. DO NOT REVISE BY HAND.
2. DIMENSIONS WILL VARY ±3% DUE TO VARIATIONS IN MULTIPLE MOLDS & CONDITIONS PREVALENT DURING MANUFACTURE & USAGE.
3. 4 1/2" MOLDED IN GAL MARKERS UP TO 900 GAL IN LEFT END ONLY. AVOID WHEN PLACING FTGS.

CALCULATED CAPACITY
 VOLUME IN U.S. GALLONS
 DESIGN CAPACITY
 1022

CONFIDENTIAL PROPERTY OF
 POLY PROCESSING COMPANY
 NOT FOR REPRINT OR USE
 WITHOUT PERMISSION

DWG TITLE		1000 GALLON HORIZONTAL TANK	
SCALE: 1/2"=1'-0"		<small>Control Number</small> <small>PLS. SEE 2ND SHEET</small> <small>DATE: 1/20/00</small> <small>DESIGNER: J.B.</small> <small>DATE: 1/20/00</small> <small>743.622.649-6755</small>	<small>DR:</small> MB WILKERSON <small>CK:</small> J. BRANTLEY
DATE: 1/20/00		<small>SHEET</small> 1 OF 1	<small>COMPUTER FILE</small> 3001000 <small>REV</small> -