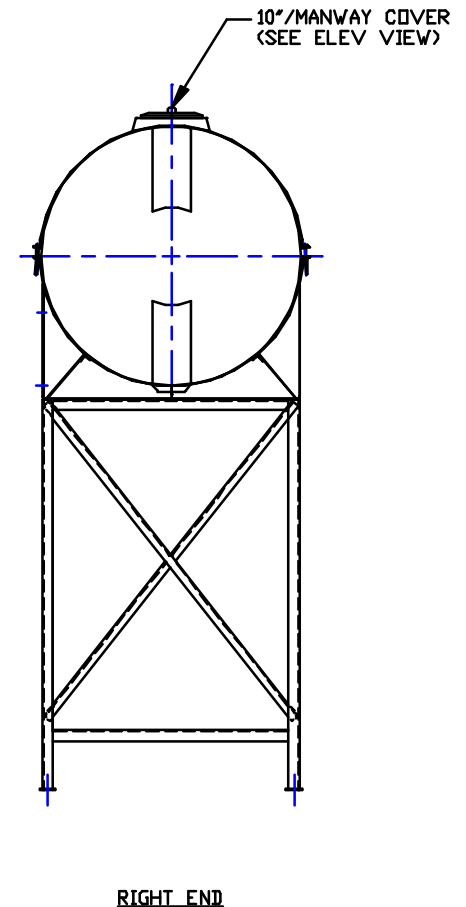
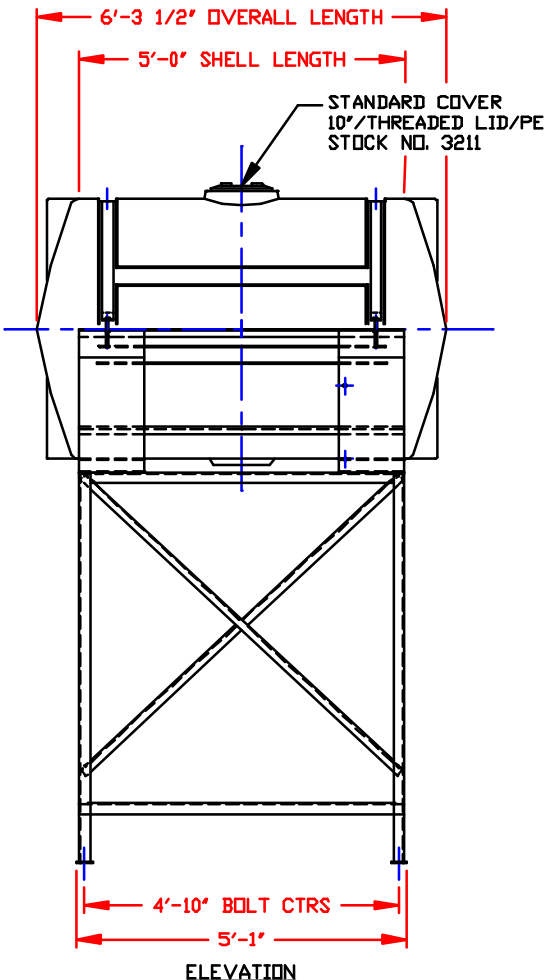
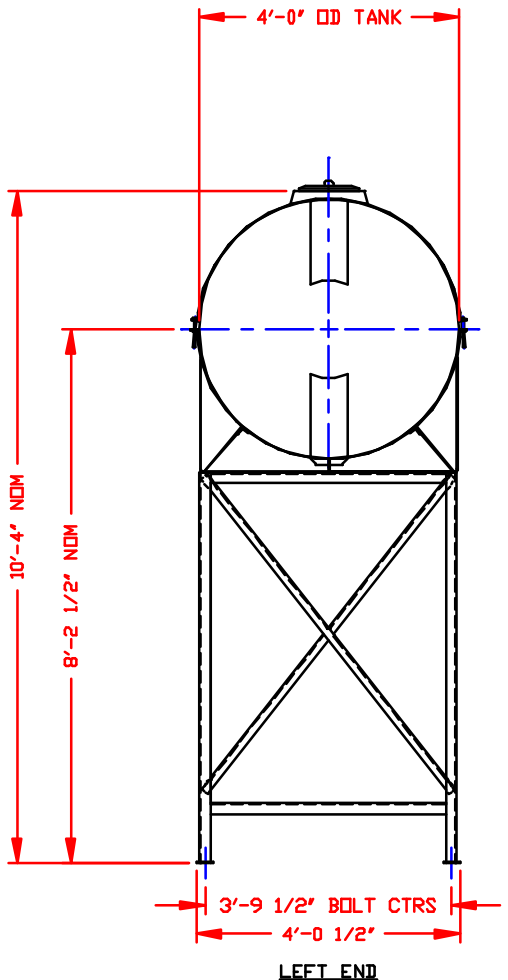


NON-CONTROLLED COPY INFORMATION SUBJECT TO CHANGE WITHOUT NOTICE COPY WILL NOT BE UPDATED	COPY ISSUED BY..... COPY ISSUED ON.....
---	--



- NOTES
1. THIS IS A COMPUTER GENERATED DWG. DO NOT REVISE BY HAND.
 2. DIMENSIONS WILL VARY ±3% DUE TO VARIATIONS IN MULTIPLE MOLDS & CONDITIONS PREVALENT DURING MANUFACTURE & USAGE.
 3. MOLDED IN GALLONAGE MARKERS UP TO 500 GAL IN RIGHT END ONLY.
 4. FOR TANK DTLS SEE COMPUTER FILE NO. 3000520.

CALCULATED CAPACITY	VOLUME IN U.S. GALLONS
DESIGN CAPACITY	522

CONFIDENTIAL PROPERTY OF
POLY PROCESSING COMPANY
NOT FOR REPRINT OR USE
WITHOUT PERMISSION

DWG TITLE 520 GALLON HORIZONTAL TANK W/SKID W/6 FT STAND			
SCALE: 1/2"=1'-0"	POLY PROCESSING Company	Checked By: DR: MB WILKERSON	DR: MB WILKERSON
DATE: 2/8/00		CK: D. RECTOR	CK: D. RECTOR
SHEET 1 OF 1		COMPUTER FILE 3000520S6	REV -