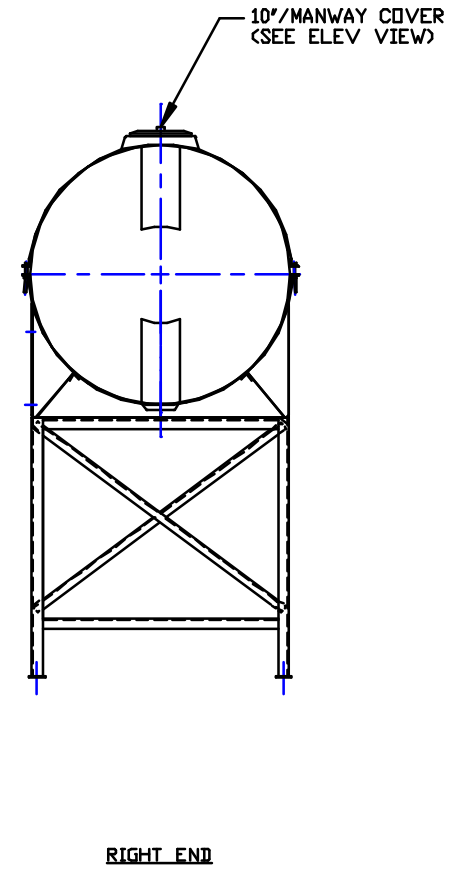
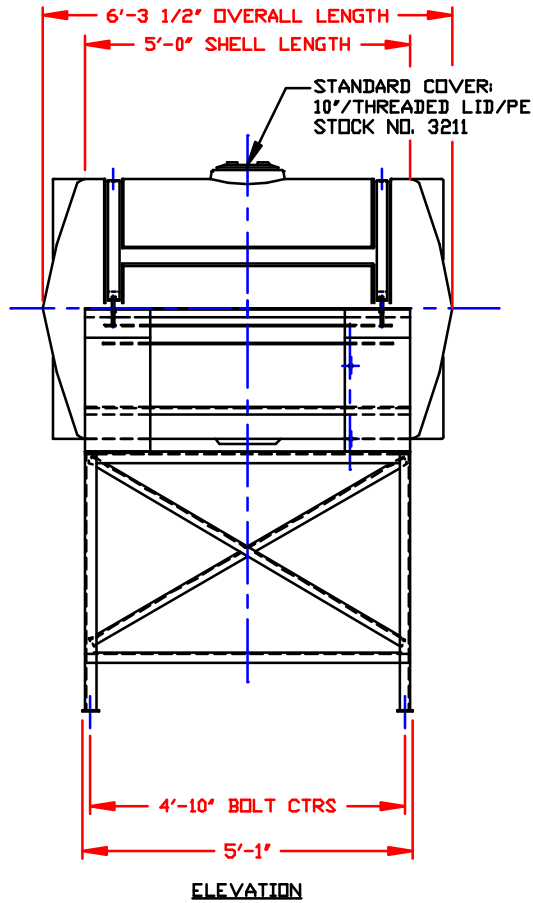
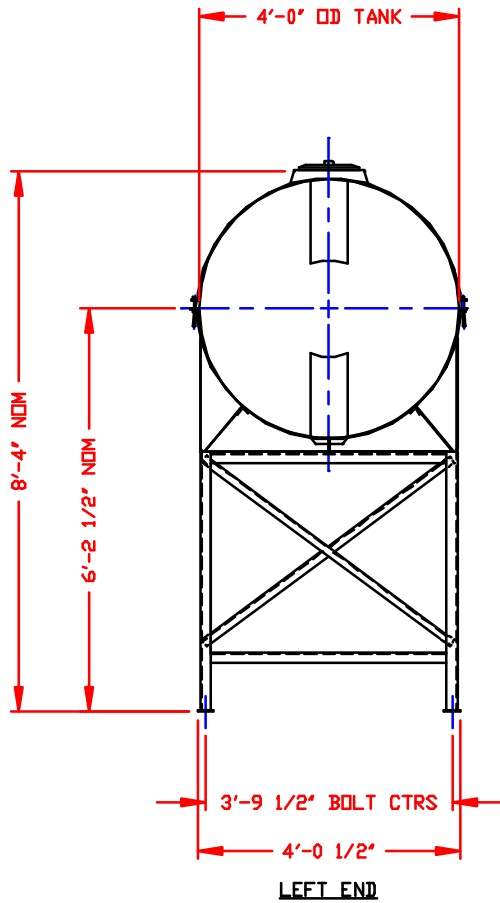


NON-CONTROLLED COPY	COPY ISSUED BY.....
INFORMATION SUBJECT TO CHANGE WITHOUT NOTICE	COPY ISSUED ON.....
COPY WILL <u>NOT</u> BE UPDATED	



- NOTES:
1. THIS IS A COMPUTER GENERATED DWG. DO NOT REVISE BY HAND.
 2. DIMENSIONS WILL VARY ±3% DUE TO VARIATIONS IN MULTIPLE MOLDS & CONDITIONS PREVALENT DURING MANUFACTURE & USAGE
 3. MOLDED IN GALLONAGE MARKERS UP TO 500 GAL. IN RIGHT END ONLY.
 4. FOR TANK DTLS SEE COMPUTER FILE NO. 3000520.

CALCULATED CAPACITY
VOLUME IN U.S. GALLONS
DESIGN CAPACITY
522

CONFIDENTIAL PROPERTY OF
POLY PROCESSING COMPANY
NOT FOR REPRINT OR USE
WITHOUT PERMISSION

DWG TITLE 520 GALLON HORIZONTAL TANK W/SKID W/4 FT STAND			
SCALE: 1/2"=1'-0"	POLY PROCESSING Company	General Inquiries P.O. Box 428, Grand Blair, IA 51033 Phone: 712-778-7200 800-241-7272 FAX: 712-778-0750	DR: MB WILKERSON
DATE: 2/8/00		CK: D. RECTOR	
	SHEET	COMPUTER FILE	REV
	1 OF 1	3000520S4	-