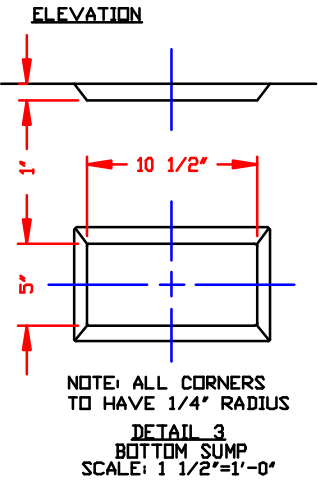
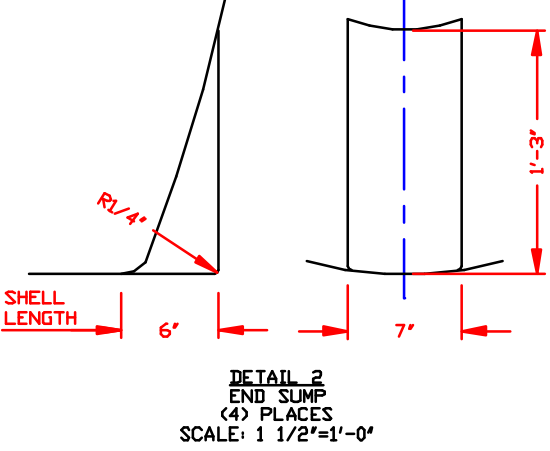
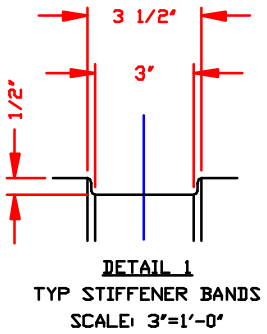
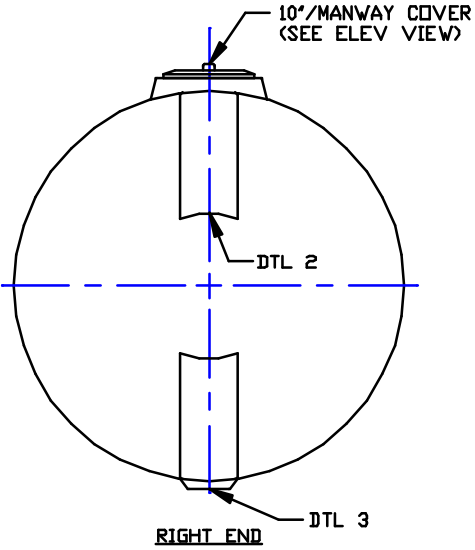
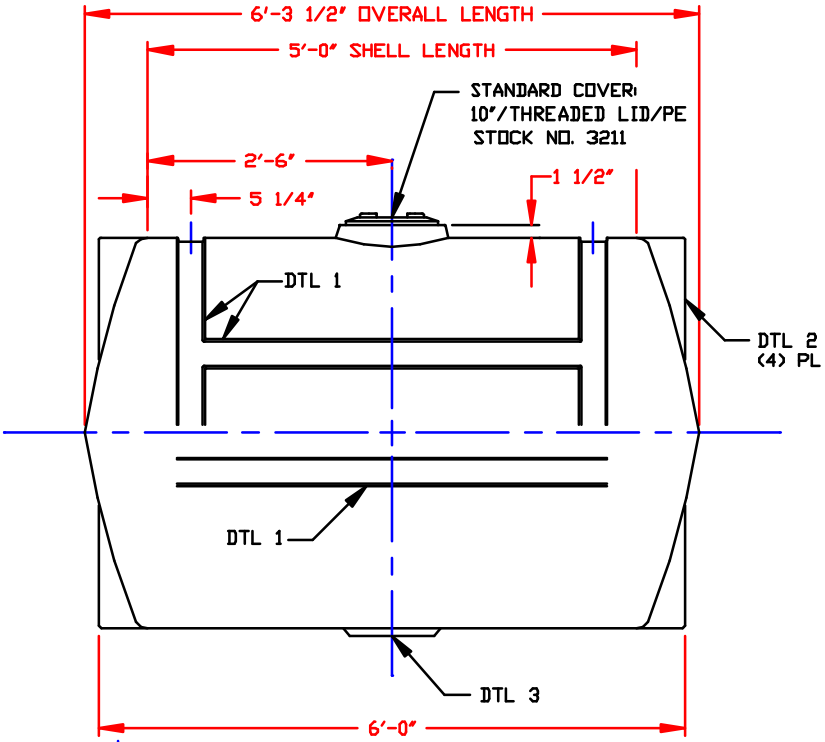
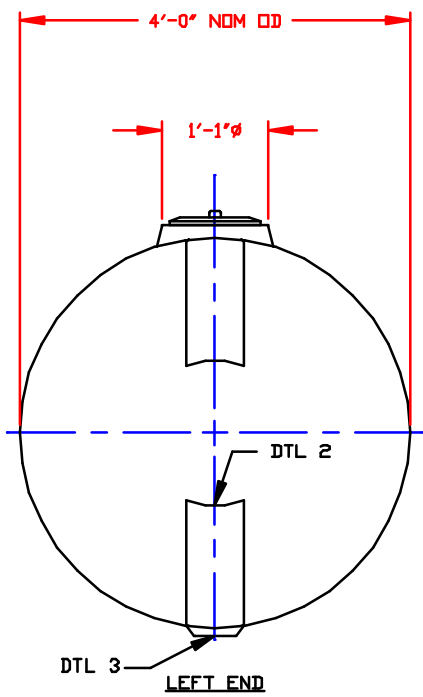


NON-CONTROLLED COPY
 INFORMATION SUBJECT TO CHANGE WITHOUT NOTICE
 COPY WILL NOT BE UPDATED

COPY ISSUED BY.....
 COPY ISSUED ON.....



NOTES
 1. THIS IS A COMPUTER GENERATED DWG. DO NOT REVISE BY HAND.
 2. DIMENSIONS WILL VARY ±3% DUE TO VARIATIONS IN MULTIPLE MOLDS & CONDITIONS PREVALENT DURING MANUFACTURE & USAGE.
 3. MOLDED IN GALLONAGE MARKERS UP TO 500 GAL IN RIGHT END ONLY.

CALCULATED CAPACITY
 VOLUME IN U.S. GALLONS
 DESIGN CAPACITY
 522

CONFIDENTIAL PROPERTY OF
 POLY PROCESSING COMPANY
 NOT FOR REPRINT OR USE
 WITHOUT PERMISSION

DWG TITLE			
520 GALLON HORIZONTAL TANK			
SCALE: 3/4"=1'-0"	POLY PROCESSING	Control Number PLS. SEE 520-0000 DATE OF ISSUE 08/19/00 520-0000 FAX: 609-649-0750	DR: MB WILKERSON
DATE: 1/19/00			CK: J. BRANTLEY
	SHEET	COMPUTER FILE	REV
	1 OF 1	3000520	-