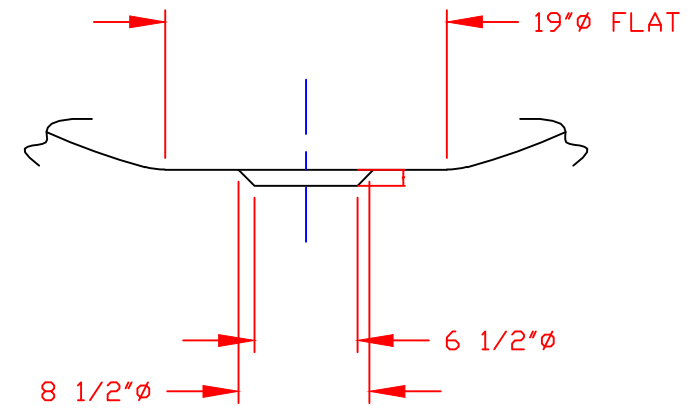
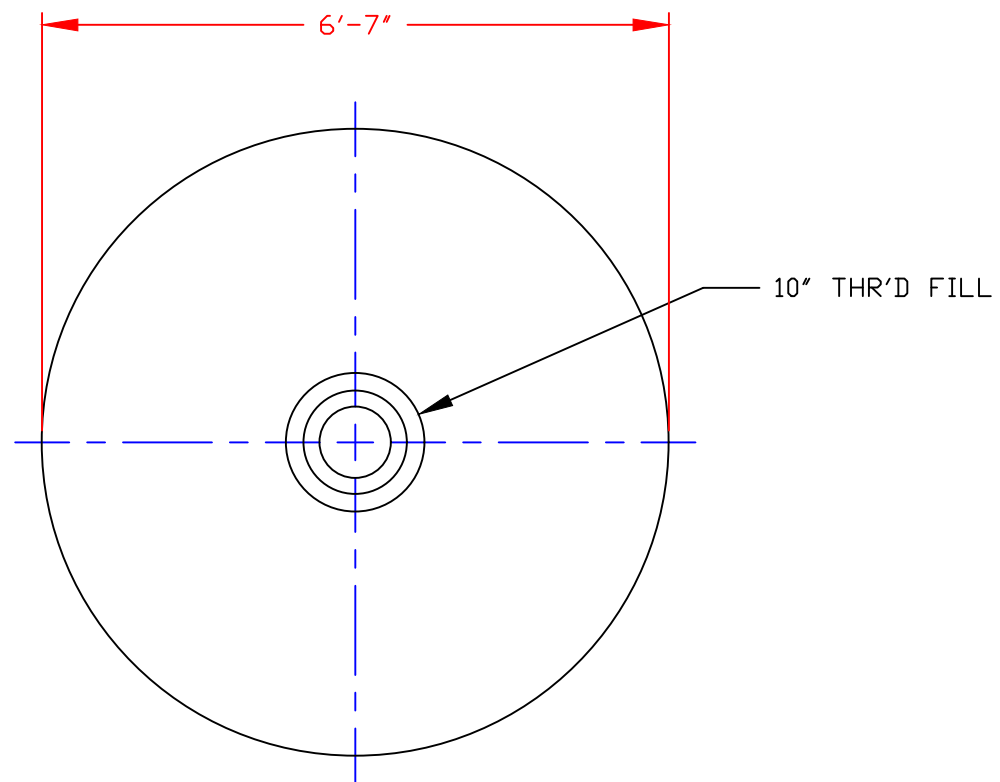
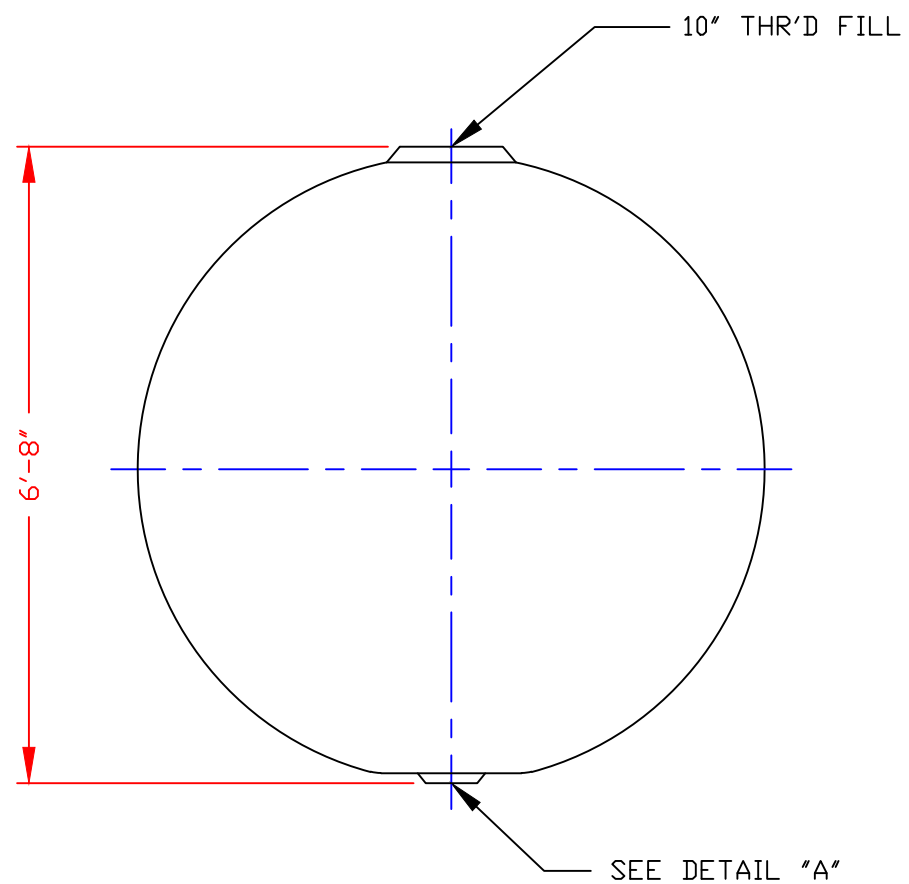


NON-CONTROLLED COPY
 INFORMATION SUBJECT TO CHANGE WITHOUT NOTICE
 VERIFY REV LEVEL OF PAPER COPY WITH REV LEVEL ON PPC WEB SITE




DETAIL "A"
 SUMP
 SCALE: 1" = 1'-0"



NOTES

1. THIS IS A COMPUTER GENERATED DRAWING. DO NOT REVISE BY HAND.
2. DIMENSIONS WILL VARY $\pm 3\%$ DUE TO VARIATIONS IN MULTIPLE MOLDS & CONDITIONS PREVELANT DURING MANUFACTURE & USAGE
3. MOLDED IN GALLONAGE MARKERS ON SIDEWALL IN 50 GALLON INCREMENTS UP TO 1050 GALLONS.

CONFIDENTIAL PROPERTY OF
 POLY PROCESSING COMPANY
 NOT FOR REPRINT OR USE
 WITHOUT PERMISSION

DWG TITLE 1080 GALLON SPHERE			
SCALE:	1/2"=1'-0"	 POLYPROCESSING COMPANY LLC	Central Region P.O. Box 4150 (71211) 2201 Old Sterlington Rd. Monroe, LA 71203 (318) 343-7565 FAX (318) 343-8795
DATE:	2/27/09	DR:	J. BRANTLEY
		CK:	W. MANUEL
	SHEET	COMPUTER FILE	REV
	1 OF 1	46001080	-