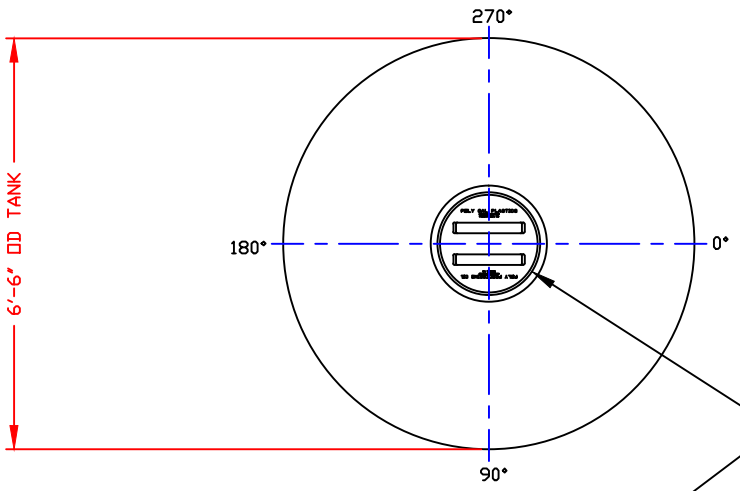


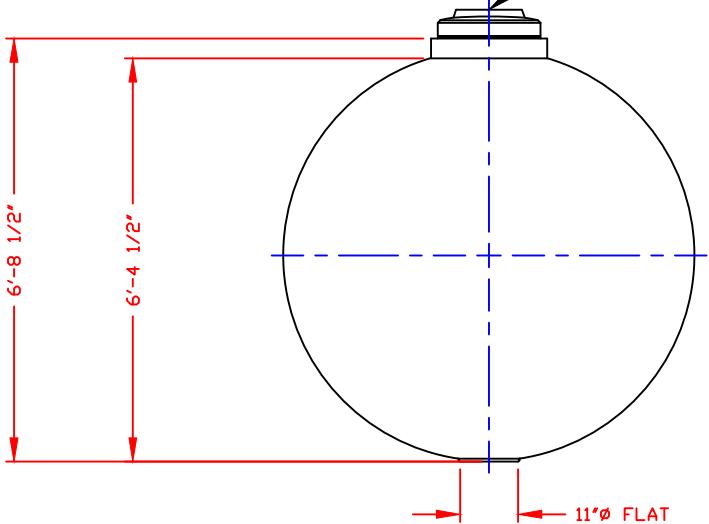
NON-CONTROLLED COPY
 INFORMATION SUBJECT TO CHANGE WITHOUT NOTICE
 COPY WILL NOT BE UPDATED

COPY ISSUED BY.....
 COPY ISSUED ON.....

NOZZLE SCHEDULE & ACCESSORIES						
SERVICE	MK	STOCK NO.	SIZE	FITTING	DEG	ELEV



STANDARD COVER:
 17"/BUTTRESS THREAD
 CAP/BLACK PE
 STOCK NO. 4558



- NOTES
1. THIS IS A COMPUTER GENERATED DWG. DO NOT REVISE BY HAND.
 2. DIMENSIONS WILL VARY ±3% DUE TO VARIATIONS IN MULTIPLE MOLDS & CONDITIONS PREVALENT DURING MANUFACTURE & USAGE.
 3. NO GALLONAGE MARKERS THIS TANK.

CALCULATED CAPACITY	VOLUME IN U.S. GALLONS
DESIGN CAPACITY	980

CONFIDENTIAL PROPERTY OF
 POLY PROCESSING COMPANY
 NOT FOR REPRINT OR USE
 WITHOUT PERMISSION

DWG TITLE		980 GALLON POLYSPHERE TANK	
SCALE: 1/2"=1'-0"		Western Region P.O. Box 80 8923 South Ash Street French Camp, CA 95521 (209) 982-4994 FAX (209) 982-4425	DR: MB WILKERSON CK: J. BRANTLEY
DATE: 2/19/02		SHEET 1 OF 1	COMPUTER FILE 16000980