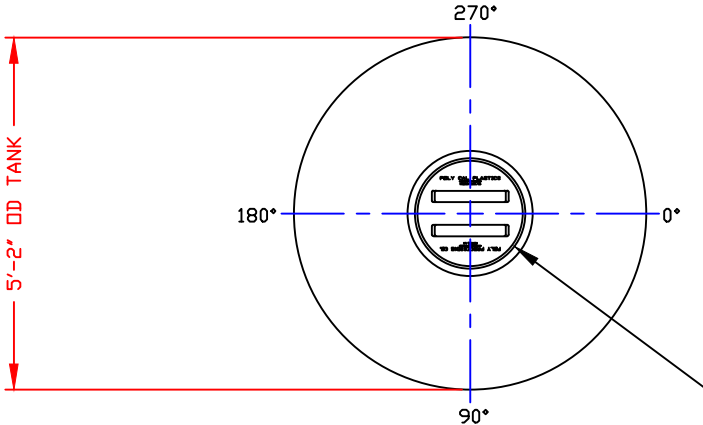


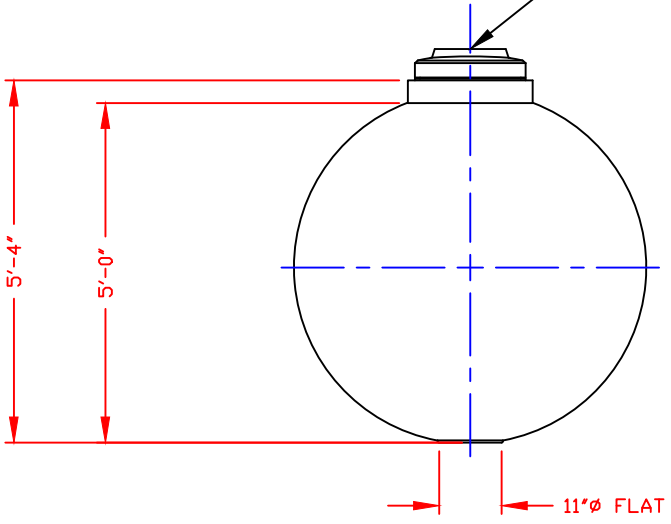
NON-CONTROLLED COPY
 INFORMATION SUBJECT TO CHANGE WITHOUT NOTICE
 COPY WILL NOT BE UPDATED

COPY ISSUED BY _____
 COPY ISSUED ON _____

NOZZLE SCHEDULE & ACCESSORIES						
SERVICE	MK	STOCK NO.	SIZE	FITTING	DEG	ELEV



STANDARD COVER:
 1 7/8" BUTTRESS THREAD
 CAP/BLACK PE
 STOCK NO. 4558



NOTES
 1. THIS IS A COMPUTER GENERATED DWG. DO NOT REVISE BY HAND.
 2. DIMENSIONS WILL VARY ±3% DUE TO VARIATIONS IN MULTIPLE MOLDS & CONDITIONS PREVALENT DURING MANUFACTURE & USAGE.
 3. NO GALLONAGE MARKERS THIS TANK.

CALCULATED CAPACITY	VOLUME IN U.S. GALLONS
DESIGN CAPACITY	530

CONFIDENTIAL PROPERTY OF
 POLY PROCESSING COMPANY
 NOT FOR REPRINT OR USE
 WITHOUT PERMISSION

DWG TITLE			
530 GALLON POLYSPPHERE TANK			
SCALE: 1/2"=1'-0"		Western Region P.O. Box 86 9920 South Ash Street French Camp, CA 95921 CITY 925-4194 FAX 925-952-0435	DR: MB WILKERSON CK: J. BRANTLEY
DATE: 6/27/00		SHEET 1 OF 1	COMPUTER FILE 16000530 REV -