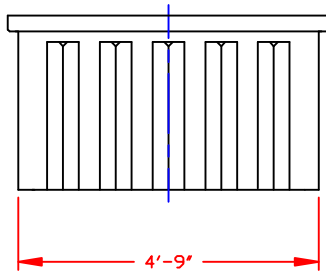
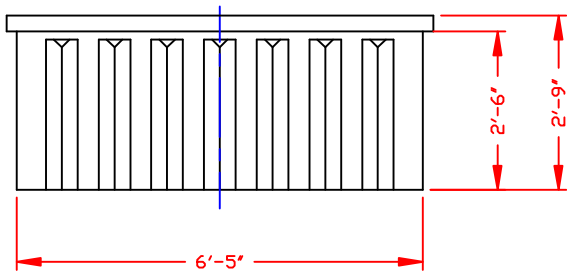
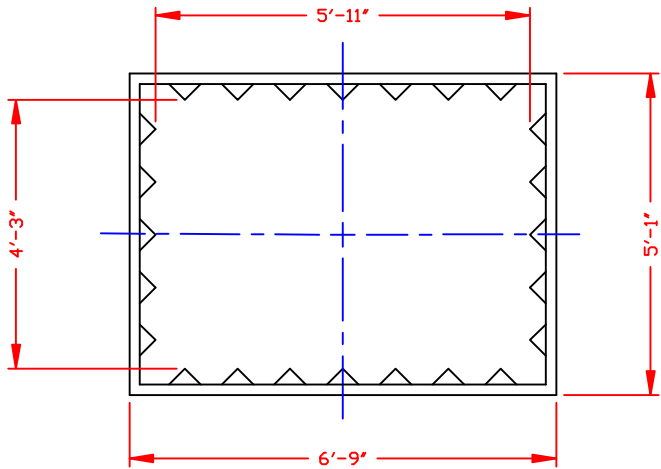


NON-CONTROLLED COPY
 INFORMATION SUBJECT TO CHANGE WITHOUT NOTICE
 VERIFY REV LEVEL OF PAPER COPY WITH REV LEVEL ON PPC WEB SITE



NOZZLE SCHEDULE & ACCESSORIES						
SERVICE	MK	STOCK NO.	SIZE	FITTING	DEG	ELEV

CALCULATED CAPACITY
VOLUME IN U.S. GALLONS
DESIGN CAPACITY
555

CONFIDENTIAL PROPERTY OF
 PDLY PROCESSING COMPANY
 NOT FOR REPRINT OR USE
 WITHOUT PERMISSION

NOTE: CAPACITIES OF RECTANGULAR SECONDARY CONTAINMENT
 BASINS MAY BE SIGNIFICANTLY LESS THAN NOMINAL VOLUME
 WITHOUT ADEQUATE EXTERNAL SUPPORT.

- NOTES**
1. THIS IS A COMPUTER GENERATED DWG. DO NOT REVISE BY HAND.
 2. DIMENSIONS WILL VARY ±3% DUE TO VARIATIONS IN MULTIPLE MOLDS & CONDITIONS PREVALENT DURING MANUFACTURE & USAGE.
 3. NO MOLDED IN GALLONAGE MARKERS THIS TANK.

DWG TITLE			
555 GALLON RECTANGULAR CONTAINMENT TANK			
SCALE:	1/2"=1'-0"		Western Region P.O. Box 88 9552 South Ash Street French Camp, CA 95621 (916) 962-0994 FAX (916) 962-0435
DATE:	6/22/00		
REV *B* REMOVED ANGLE BY:JB 8/10/10 CK:WM REV *A* REVISED & REDRAWN BY:MBW 7/20/04 CK:JB		SHEET	COMPUTER FILE
		1 OF 1	15100555 B