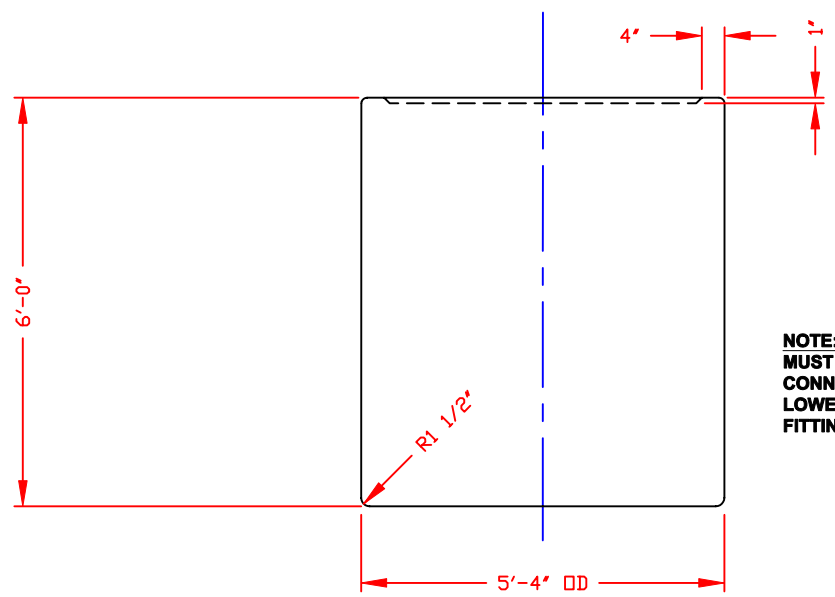
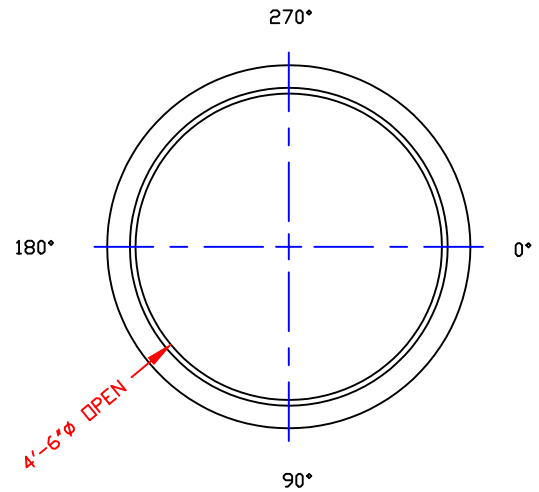


<p>NON-CONTROLLED COPY</p> <p>INFORMATION SUBJECT TO CHANGE WITHOUT NOTICE</p> <p>COPY WILL <u>NOT</u> BE UPDATED</p>	<p>COPY ISSUED BY.....</p> <p>COPY ISSUED ON.....</p>
---	---

NOZZLE SCHEDULE & ACCESSORIES						
SERVICE	MK	STOCK NO.	SIZE	FITTING	DEG	ELEV



**NOTE:** A  
**MUST USE FLEXIBLE CONNECTIONS ALL LOWER SIDEWALL FITTINGS**

**NOTES**  
 1. THIS IS A COMPUTER GENERATED DWG. DO NOT REVISE BY HAND.  
 2. DIMENSIONS WILL VARY ±3% DUE TO VARIATIONS IN MULTIPLE MOLDS & CONDITIONS PREVALENT DURING MANUFACTURE & USAGE.  
 3. MOLDED IN GALLONAGE MARKERS IN 100 GALLON INCREMENTS STARTING @ 50 GAL UP TO 950 GAL.

CALCULATED CAPACITY
VOLUME IN U.S. GALLONS
DESIGN CAPACITY
963

CONFIDENTIAL PROPERTY OF  
 POLY PROCESSING COMPANY  
 NOT FOR REPRINT OR USE  
 WITHOUT PERMISSION

DWG TITLE		960 GALLON OPEN TOP TANK	
SCALE: 1/2"=1'-0"	<b>POLY</b> <b>PROCESSING</b> <small>Company</small>	Central Region <small>P.O. Box 4150 (71211) 2281 Old Stoneington Rd. Morgan, LA 71250 CROP 343-7565 FAX CROP 343-6795</small>	DR: MB WILKERSON
DATE: 12/27/99			CK: J. BRANTLEY
		SHEET	COMPUTER FILE
		1 OF 1	1500960
			REV A

REV "A" ADDED FITTING NOTE BY:MBW 4/14/03 CK:JB