

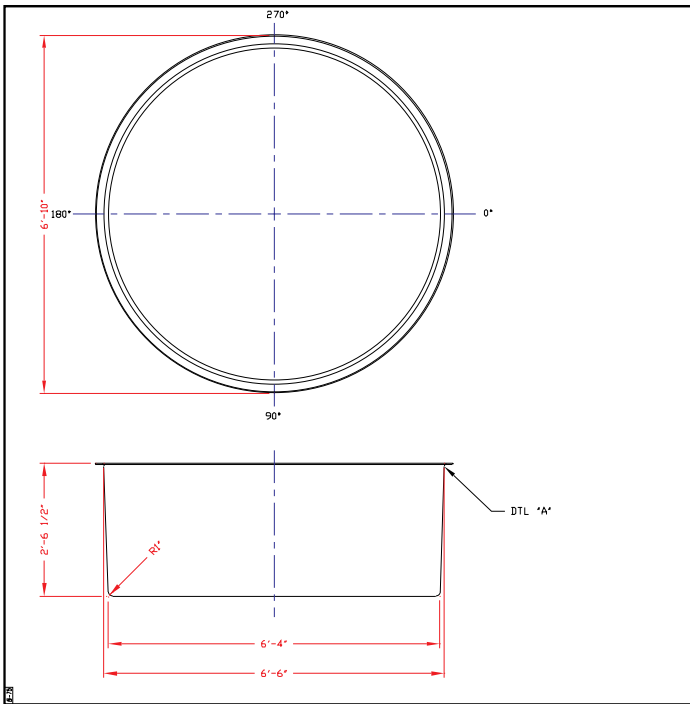
NON-CONTROLLED COPY

INFORMATION SUBJECT TO CHANGE WITHOUT NOTICE

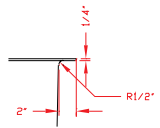
COPY WILL NOT BE UPDATED

COPY ISSUED BY.....

COPY ISSUED ON.....



NOZZLE SCHEDULE & ACCESSORIES						
SERVICE	MK	STOCK NO	SIZE	FITTING	DEG	ELEV



DETAIL "A"  
SCALE: 1 1/2"=1'-0"

- NOTES:**
1. THIS IS A COMPUTER GENERATED DWG DO NOT REVISE BY HAND
  2. DIMENSIONS WILL VARY +3% DUE TO VARIATIONS IN MULTIPLE MOLDS & CONDITIONS PREVALENT DURING MANUFACTURE & USAGE.
  3. NO MOLDED IN GALLONAGE MARKERS IN THIS TANK.

CALCULATED CAPACITIES/  
VOLUME IN U.S. GALLONS  
DESIGN CAPACITY  
570

CONFIDENTIAL PROPERTY OF  
POLY PROCESSING COMPANY  
NOT FOR REPRINT OR USE  
WITHOUT PERMISSION

DWG TITLE 570 GALLON CYLINDRICAL SECONDARY CONTAINMENT			
SCALE: 3/4"=1'-0"		DR: MB WILKERSON	
DATE: 12/30/99		CR: J. BRANTLEY	
	SHEET: 1 OF 1	COMPUTER FILE: 1500570	REV: -