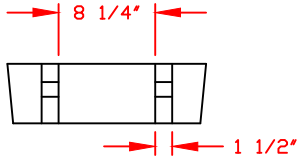
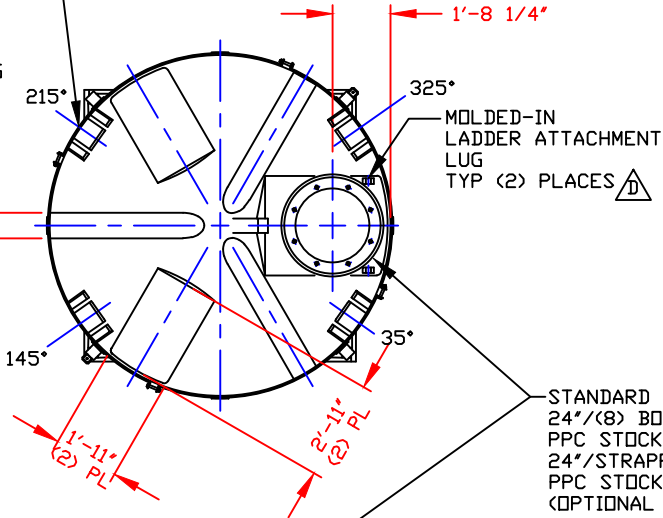


NON-CONTROLLED COPY
 INFORMATION SUBJECT TO CHANGE WITHOUT NOTICE
 VERIFY REV LEVEL OF PAPER COPY WITH REV LEVEL ON PPC WEB SITE

A MOLDED-IN LIFTING LUG PAIRS
 (4) PLACES
 USE MINIMUM OF (1) LUG AT EACH LOCATION FOR LIFTING
 DO NOT LIFT WITH STAND ATTACHED
 (SEE DETAIL)

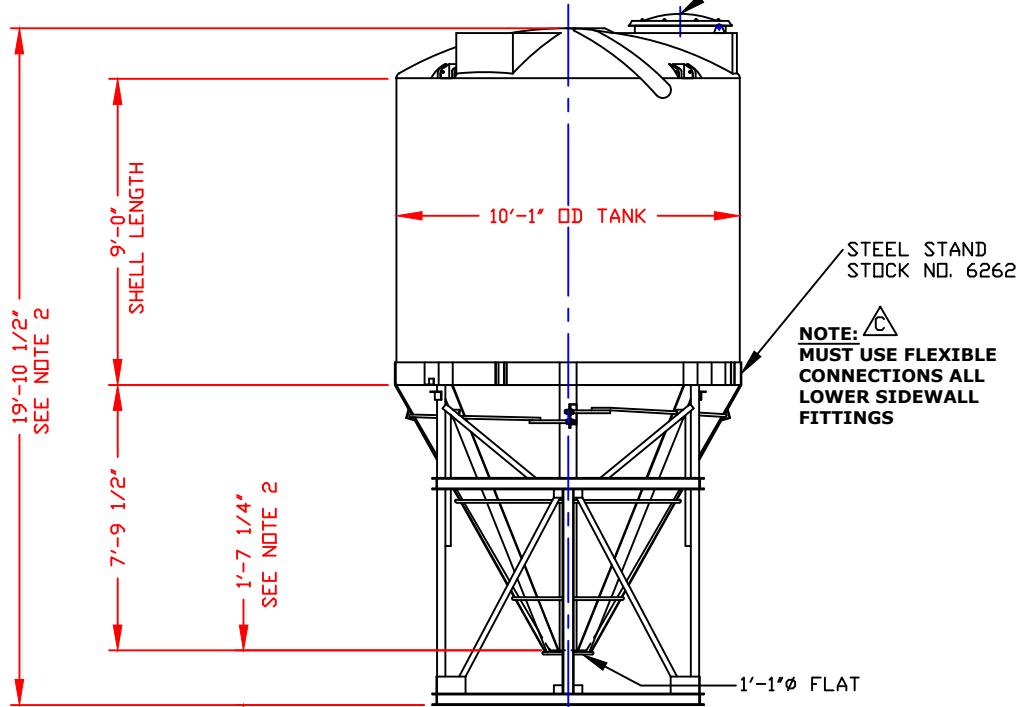


LIFTING LUG DETAIL
 (4) PLACES
 SCALE: 1"=1'-0"



STANDARD COVER:
 24"/(8) BOLT MANWAY COVER/PE (SHOWN)
 PPC STOCK NO. 3218 OR
 24"/STRAPPED MANWAY COVER/PE
 PPC STOCK NO. 3217
 (OPTIONAL 24" COVERS AVAILABLE)

B **D**



STEEL STAND
 STOCK NO. 6262

NOTE: **C**
 MUST USE FLEXIBLE CONNECTIONS ALL LOWER SIDEWALL FITTINGS

19'-10 1/2" SEE NOTE 2

SHELL LENGTH

9'-0"

7'-9 1/2"

1'-7 1/4" SEE NOTE 2

10'-1" OD TANK

1'-1"Ø FLAT

NOZZLE SCHEDULE & ACCESSORIES

SERVICE	MK	STOCK NO.	SIZE	FITTING	DEG	ELEV

NOTES
 1. THIS IS A COMPUTER GENERATED DWG. DO NOT REVISE BY HAND.
 2. DIMENSIONS WILL VARY ±3% DUE TO VARIATIONS IN MULTIPLE MOLDS & CONDITIONS PREVALENT DURING MANUFACTURE & USAGE. WHEN FILLED, TANK MAY SETTLE IN STAND CAUSING VARIATIONS IN BOTTOM CLEARANCE & OVERALL HEIGHT DIMENSIONS.
 3. NO MOLDED IN GALLONAGE MARKERS THIS TANK.

CALCULATED CAPACITIES/ VOLUME IN U.S. GALLONS		
DESIGN CAP	DOME VOL	TOTAL VOL
6856	480	7336

CONFIDENTIAL PROPERTY OF
 POLY PROCESSING COMPANY
 NOT FOR REPRINT OR USE
 WITHOUT PERMISSION

DWG TITLE
 6850 GALLON 60° CONE BOTTOM TANK
 W/STEEL STAND

SCALE: 1/4"=1'-0"

DATE: 5/10/00

Western Region
 P.O. Box 60
 8025 South Ash Street
 French Camp, CA 95021
 (209) 965-6104
 FAX (209) 962-0455

DR: MB WILKERSON
 CK: D. RECTOR

SHEET 1 OF 1
 COMPUTER FILE 14006850S
 REV E

REV 'E' REVISED GUTTER DEPTH BY:JB 1/4/17
 REV 'D' ADDED LADDER ATTACHMENT LUGS/REVISED COVER BY:JB 10/13/08 CK:WM
 REV 'C' ADDED FITTING NOTE BY:JB 8/21/03 CK:WM
 REV 'B' REVISED STOCK NUMBER BY:JB 8/21/03 CK:WM
 REV 'A' ADDED LIFTING LUGS & DETAIL BY:JB 8/21/03 CK:WM