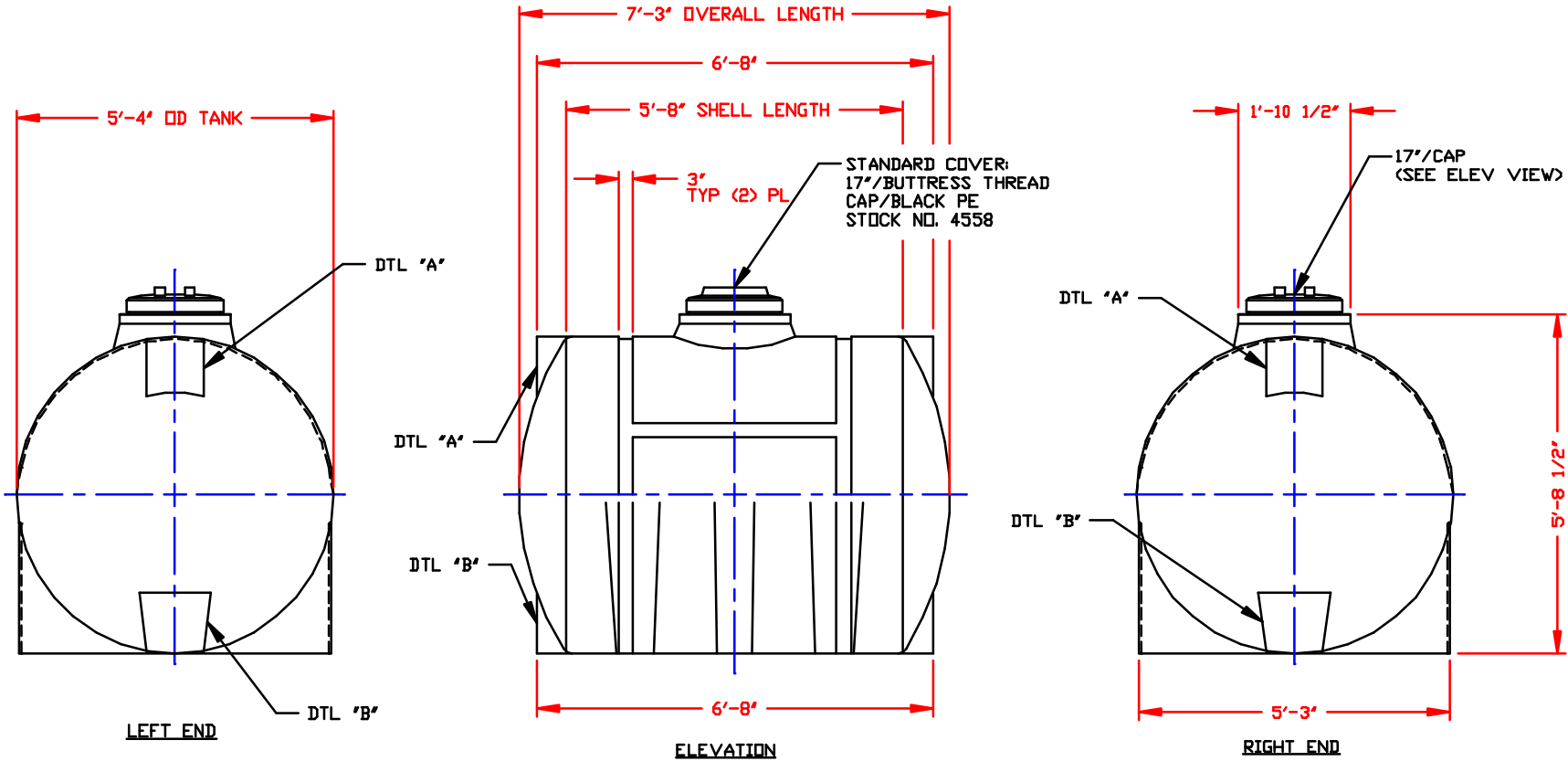
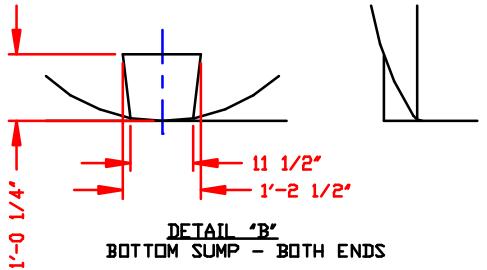
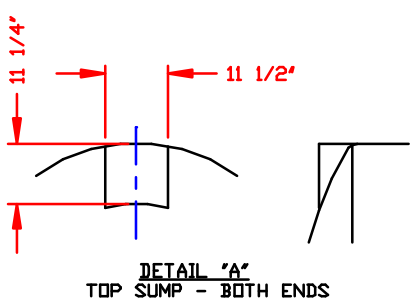


<b>NON-CONTROLLED COPY</b> INFORMATION SUBJECT TO CHANGE WITHOUT NOTICE COPY WILL NOT BE UPDATED	COPY ISSUED BY _____ COPY ISSUED ON _____
--	--



- NOTES**
- THIS IS A COMPUTER GENERATED DWG. DO NOT REVISE BY HAND.
  - DIMENSIONS WILL VARY ±3% DUE TO VARIATIONS IN MULTIPLE MOLDS & CONDITIONS PREVALENT DURING MANUFACTURE & USAGE.
  - NO MOLDED IN GALLONAGE MARKERS THIS TANK.



CALCULATED CAPACITY	VOLUME IN U.S. GALLONS
DESIGN CAPACITY	1065

CONFIDENTIAL PROPERTY OF  
 POLY PROCESSING COMPANY  
 NOT FOR REPRINT OR USE  
 WITHOUT PERMISSION

<b>DWG TITLE</b> 1060 GALLON HORIZONTAL LEG TANK			
<b>SCALE:</b> 1/2"=1'-0"		<b>Welding Engineer</b> DR: MB WILKERSON	<b>DATE:</b> 4/13/00
<b>DATE:</b> 4/13/00		<b>Company</b> 1800 South Ash Street Sparks, Calif., 95971 TEL: (530) 987-7272 FAX: (530) 987-9000	<b>CK:</b> J. BRANTLEY
<b>SHEET</b> 1 OF 1		<b>COMPUTER FILE</b> 13401060	<b>REV</b> -