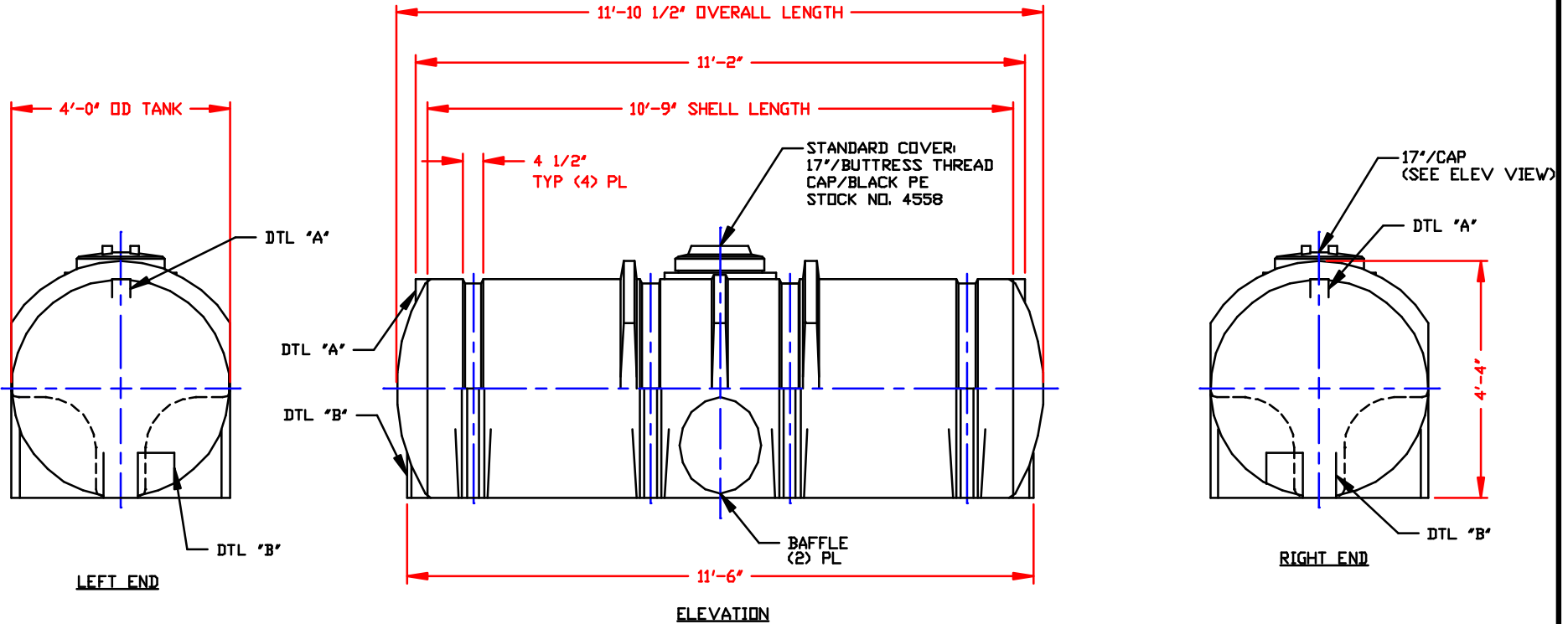
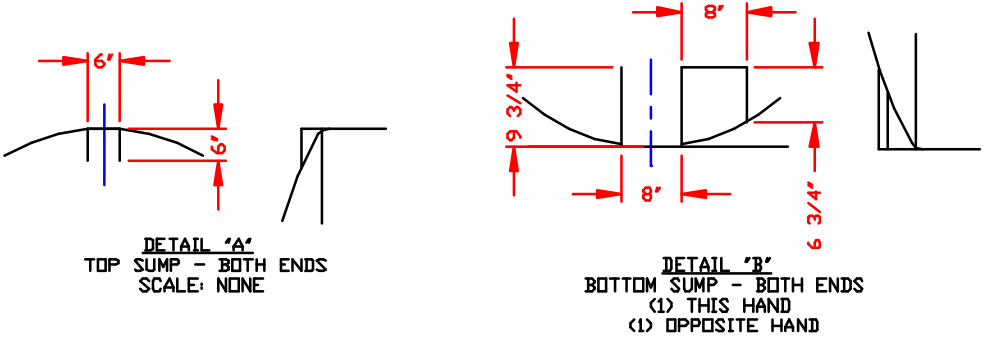


NON-CONTROLLED COPY INFORMATION SUBJECT TO CHANGE WITHOUT NOTICE COPY WILL <u>NOT</u> BE UPDATED	COPY ISSUED BY..... COPY ISSUED ON.....
--------------------------------------------------------------------------------------------------------	------------------------------------------------



- NOTES**
1. THIS IS A COMPUTER GENERATED DWG. DO NOT REVISE BY HAND.
 2. DIMENSIONS WILL VARY ±3% DUE TO VARIATIONS IN MULTIPLE MOLDS & CONDITIONS PREVALENT DURING MANUFACTURE & USAGE.
 3. MOLDED IN GALLONAGE MARKERS IN BOTH ENDS STARTING @ 100 GAL UP TO 1000 GAL IN 100 GAL INCREMENTS. AVOID WHEN PLACING FITTINGS.

CALCULATED CAPACITY	CONFIDENTIAL PROPERTY OF
VOLUME IN U.S. GALLONS	POLY PROCESSING COMPANY
DESIGN CAPACITY	NOT FOR REPRINT OR USE
1030	WITHOUT PERMISSION



DWG TITLE		1030 GALLON HORIZONTAL LEG TANK	
SCALE:	1/2"=1'-0"		<small>Windows Engineer</small> <small>PL Eng. 10</small> <small>1000 South 4th Street</small> <small>Provo, Utah, 84601</small> <small>801-734-2244</small> <small>FAX: 801-734-9400</small>
DATE:	4/12/00		<small>DR:</small> MB WILKERSON <small>CK:</small> J. BRANTLEY
		SHEET	COMPUTER FILE
		1 OF 1	13401030
			REV
			-