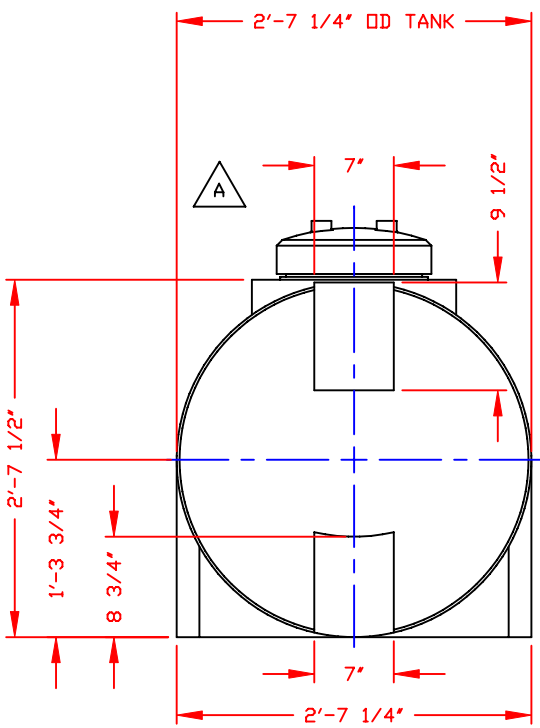
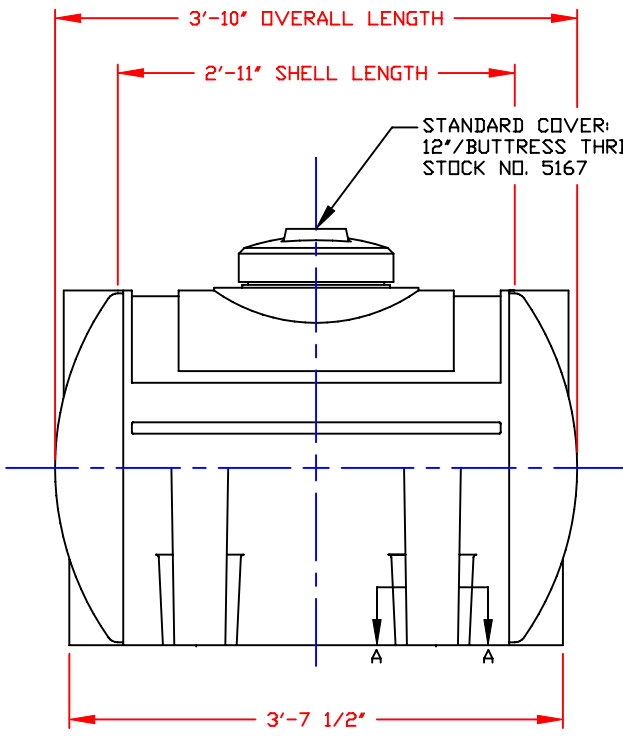


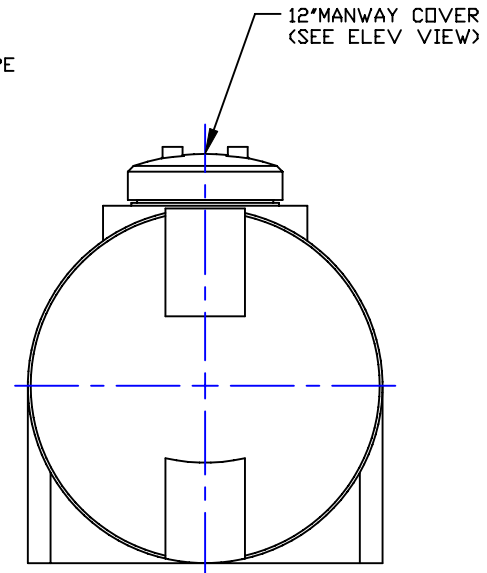
NON-CONTROLLED COPY
 INFORMATION SUBJECT TO CHANGE WITHOUT NOTICE
 VERIFY REV LEVEL OF PAPER COPY WITH REV LEVEL ON PPC WEB SITE



LEFT END



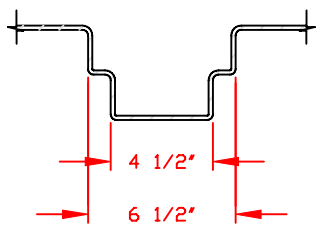
ELEVATION



RIGHT END

NOTES

1. THIS IS A COMPUTER GENERATED DWG. DO NOT REVISE BY HAND.
2. DIMENSIONS WILL VARY ±3% DUE TO VARIATIONS IN MULTIPLE MOLDS & CONDITIONS PREVALENT DURING MANUFACTURE & USAGE.
3. MOLDED IN GALLONAGE MARKERS IN BOTH ENDS STARTING @ 30 GAL UP TO 100 GAL. (CENTRAL REGION)
4. MOLDED IN GALLONAGE MARKERS ON BOTH ENDS STARTING @ 20 GAL UP TO 120 GAL IN 20 GAL INCREMENTS. AVOID WHEN PLACING FITTINGS. (WESTERN REGION)



SECTION A-A
 SCALE: 2"=1'-0"

CALCULATED CAPACITIES/ VOLUME IN U.S. GALLONS
DESIGN CAPACITY
133

CONFIDENTIAL PROPERTY OF
 POLY PROCESSING COMPANY
 NOT FOR REPRINT OR USE
 WITHOUT PERMISSION

DWG TITLE				
135 GALLON HORIZONTAL LEG TANK				
SCALE:	1"=1'-0"	 POLYPROCESSING COMPANY	DR:	J. BAUGH
DATE:	2/18/02		Central Region P.O. Box 4150 (71211) 2201 Old Sterlington Rd. Monroe, LA 70103 CUB 343-7565 FAX 337-343-8795	CK:
REV "B" ADDED NOTE 4 BY:JBW 3/1/07 CK:MBW		SHEET	COMPUTER FILE	REV
REV "A" REVISED FOR MOLD MODIFICATION BY:MBW 10/11/06 CK:JB		1 OF 1	3400135	B