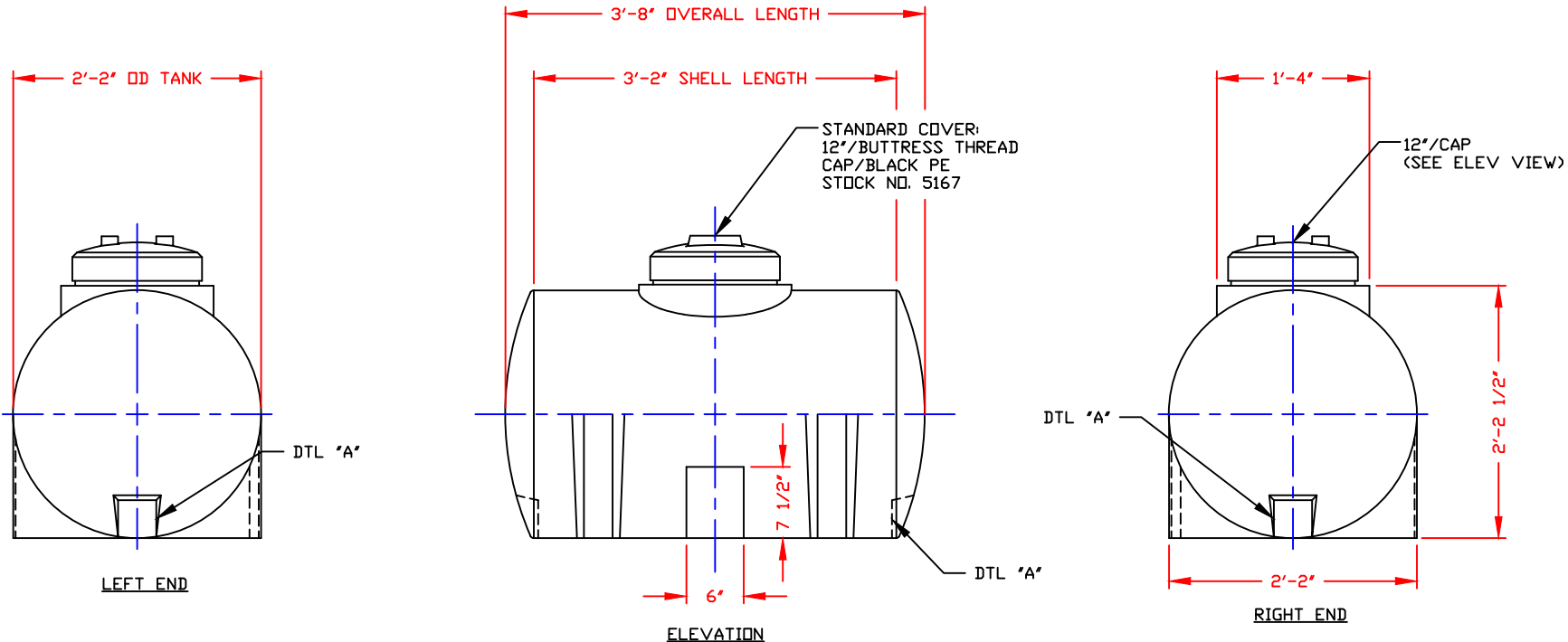
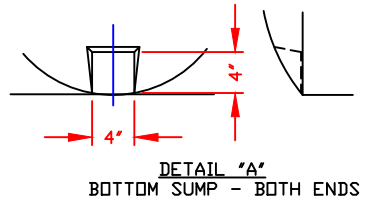


NON-CONTROLLED COPY
 INFORMATION SUBJECT TO CHANGE WITHOUT NOTICE
 VERIFY REV LEVEL OF PAPER COPY WITH REV LEVEL ON PPC WEB SITE



- NOTES**
1. THIS IS A COMPUTER GENERATED DWG. DO NOT REVISE BY HAND.
 2. DIMENSIONS WILL VARY ±3% DUE TO VARIATIONS IN MULTIPLE MOLDS & CONDITIONS PREVALENT DURING MANUFACTURE.
 3. NO MOLDED IN GALLONAGE MARKERS THIS TANK.



CALCULATED CAPACITY	VOLUME IN U.S. GALLONS
DESIGN CAPACITY	98

CONFIDENTIAL PROPERTY OF
 POLY PROCESSING COMPANY
 NOT FOR REPRINT OR USE
 WITHOUT PERMISSION

DWG TITLE		95 GALLON HORIZONTAL LEG TANK		
SCALE:	1"=1'-0"	 Western Region P.O. Box 68 9523 South Ash Street French Camp, CA 95821 (209) 982-0964 FAX (209) 982-0485	DR:	MB WILKERSON
DATE:	4/11/00		CK:	D. RECTOR
		SHEET	COMPUTER FILE	REV
		1 OF 1	13400095	-