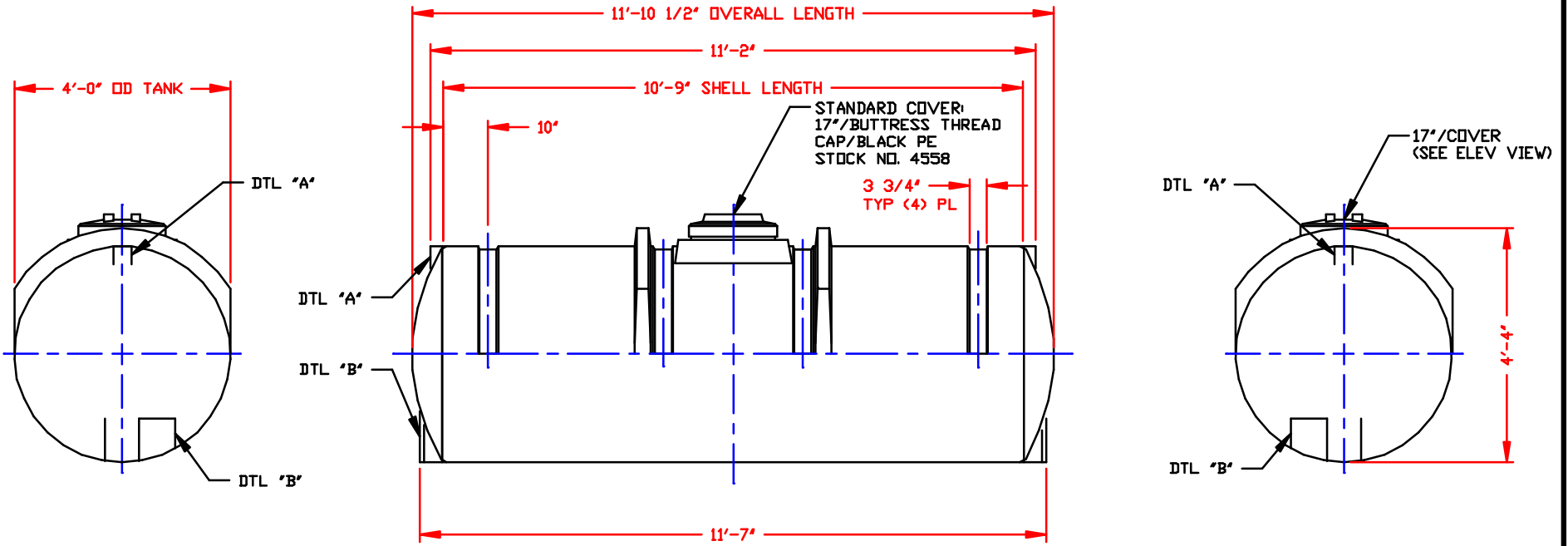
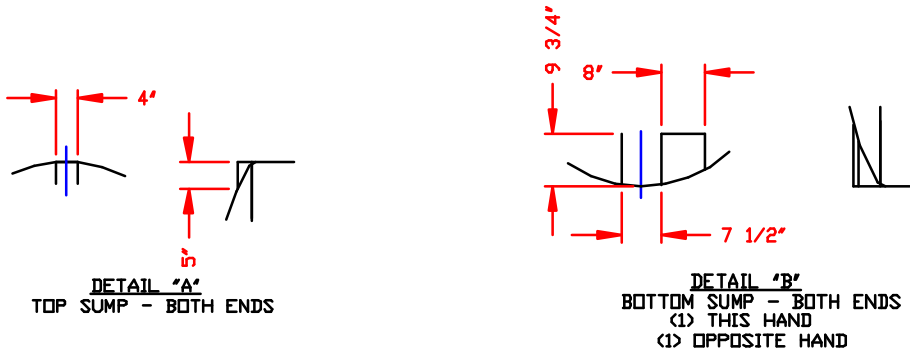


NON-CONTROLLED COPY	COPY ISSUED BY.....
INFORMATION SUBJECT TO CHANGE WITHOUT NOTICE	COPY ISSUED ON.....
COPY WILL NOT BE UPDATED	



- NOTES**
1. THIS IS A COMPUTER GENERATED DWG. DO NOT REVISE BY HAND.
 2. DIMENSIONS MAY VARY ±3% DUE TO VARIATIONS IN MULTIPLE MOLDS & CONDITIONS PREVALENT DURING MANUFACTURE & USAGE.
 3. MOLDED IN GALLONAGE MARKERS IN BOTH ENDS STARTING @ 100 GAL UP TO 1000 GAL IN 100 GAL INCREMENTS. AVOID WHEN PLACING FITTINGS.



CALCULATED CAPACITY	VOLUME IN U.S. GALLONS
DESIGN CAPACITY	1050

CONFIDENTIAL PROPERTY OF
POLY PROCESSING COMPANY
NOT FOR REPRINT OR USE
WITHOUT PERMISSION

DWG TITLE			
1050 GALLON HORIZONTAL TANK			
SCALE:	1/2"=1'-0"		DR: MB WILKERSON
DATE:	4/6/00		CK: D. RECTOR
SHEET		COMPUTER FILE	REV
1 OF 1		13001050	-