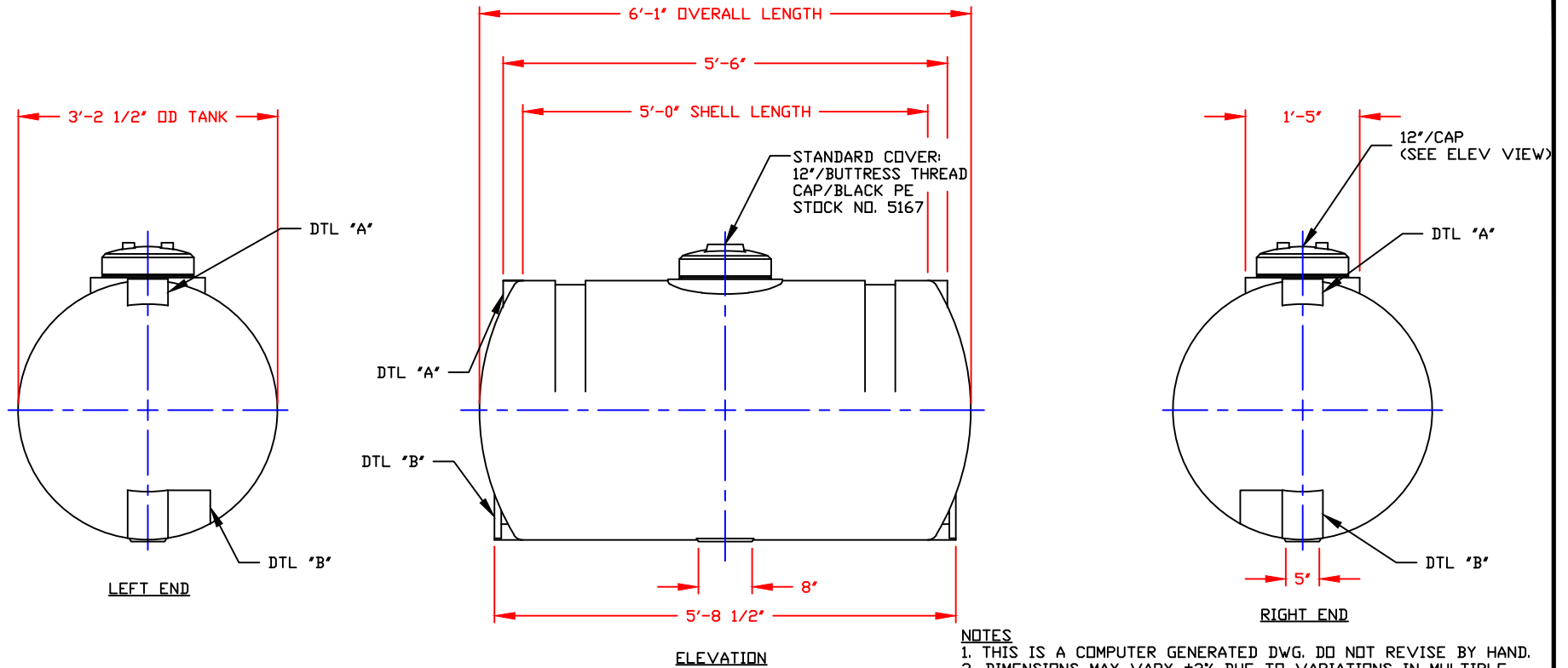
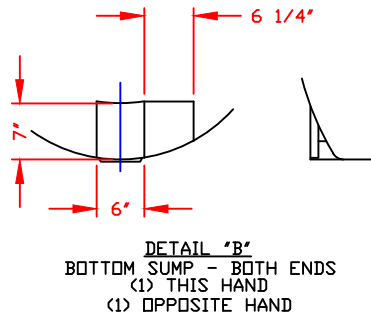
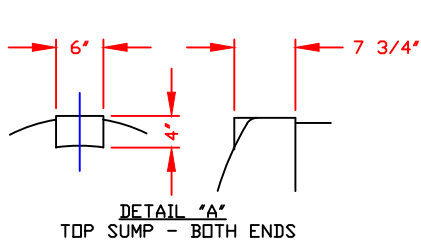


NON-CONTROLLED COPY
 INFORMATION SUBJECT TO CHANGE WITHOUT NOTICE
 VERIFY REV LEVEL OF PAPER COPY WITH REV LEVEL ON PPC WEB SITE




NOTES

1. THIS IS A COMPUTER GENERATED DWG. DO NOT REVISE BY HAND.
2. DIMENSIONS MAY VARY ±3% DUE TO VARIATIONS IN MULTIPLE MOLDS & CONDITIONS PREVALENT DURING MANUFACTURE & USAGE.
3. MOLDED IN GALLONAGE MARKERS IN BOTH ENDS STARTING @ 50 GAL UP TO 300 GAL IN 100 GAL INCREMENTS WITH TICS IN BETWEEN. AVOID WHEN PLACING FITTINGS.



CALCULATED CAPACITY	VOLUME IN U.S. GALLONS
DESIGN CAPACITY	320

CONFIDENTIAL PROPERTY OF
 POLY PROCESSING COMPANY
 NOT FOR REPRINT OR USE
 WITHOUT PERMISSION

DWG TITLE		320 GALLON HORIZONTAL TANK		
SCALE:	3/4"=1'-0"	 Western Region P.O. Box 88 6025 South Ash Street French Camp, CA 95231 (925) 365-4304 FAX (925) 982-8485	DR:	MB WILKERSON
DATE:	4/5/00		CK:	D. RECTOR
		SHEET	COMPUTER FILE	REV
		1 OF 1	13000320	-