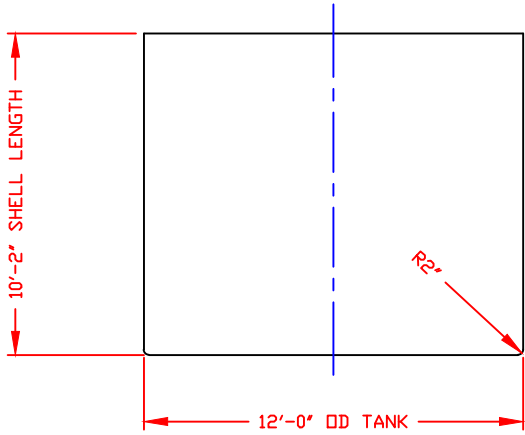
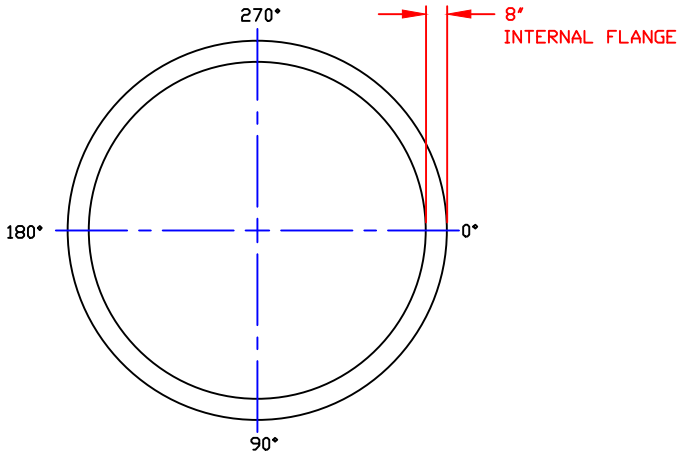


NON-CONTROLLED COPY
 INFORMATION SUBJECT TO CHANGE WITHOUT NOTICE
 VERIFY REV LEVEL OF PAPER COPY WITH REV LEVEL ON PPC WEB SITE





NOZZLE SCHEDULE & ACCESSORIES						
SERVICE	MK	STOCK NO.	SIZE	FITTING	DEG	ELEV

- NOTES**
1. THIS IS A COMPUTER GENERATED DWG. DO NOT REVISE BY HAND.
 2. DIMENSIONS WILL VARY ±3% DUE TO VARIATIONS IN MULTIPLE MOLDS & CONDITIONS PREVALENT DURING MANUFACTURE & USAGE.
 3. NO MOLDED IN GALLONAGE MARKERS THIS TANK.

CALCULATED CAPACITY
VOLUME IN U.S. GALLONS
DESIGN CAPACITY
8432

CONFIDENTIAL PROPERTY OF
 PDLY PROCESSING COMPANY
 NOT FOR REPRINT OR USE
 WITHOUT PERMISSION

DWG TITLE			
8400 GALLON OPEN TOP TANK			
SCALE:	1/4"=1'-0"	 Western Region P.O. Box 88 8253 South Ash Street Fremont, CA 94523 (925) 982-4354 FAX (925) 982-0455	DR:
DATE:	3/15/00		 SOLUTIONS. SIMPLIFIED.
		SHEET	REV
		1 OF 1	-
		COMPUTER FILE	
		11508400	