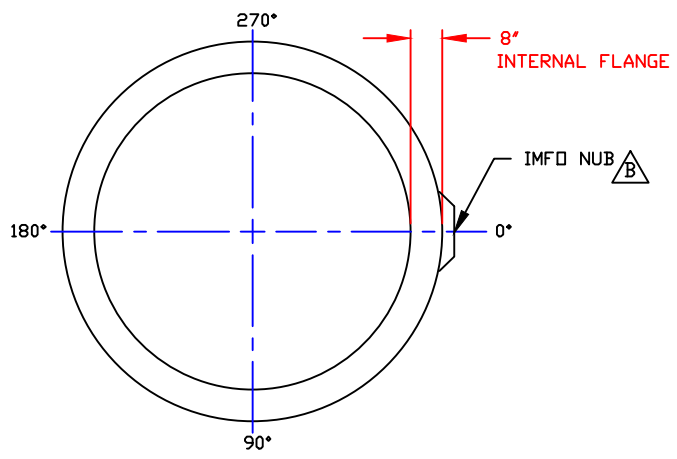
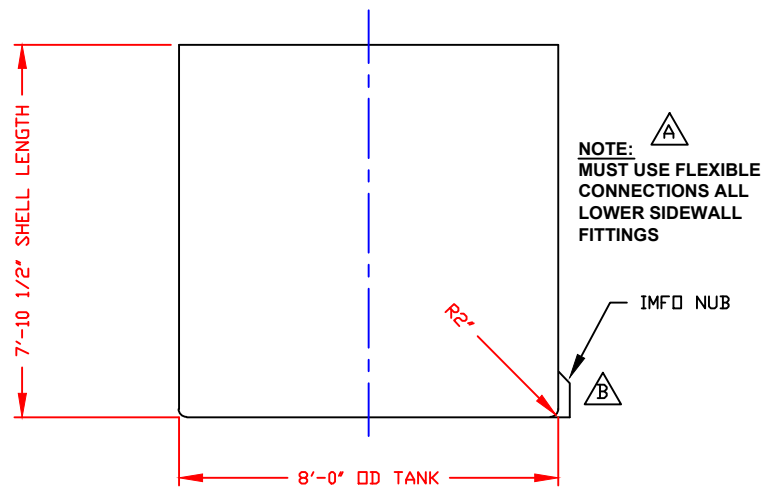


NON-CONTROLLED COPY
 INFORMATION SUBJECT TO CHANGE WITHOUT NOTICE
 VERIFY REV LEVEL OF PAPER COPY WITH REV LEVEL ON PPC WEB SITE




NOZZLE SCHEDULE & ACCESSORIES					
SERVICE	MK	STOCK NO.	SIZE	FITTING	DEG ELEV



- NOTES:**
1. THIS IS A COMPUTER GENERATED DWG. DO NOT REVISE BY HAND.
 2. DIMENSIONS WILL VARY ±3% DUE TO VARIATIONS IN MULTIPLE MOLDS & CONDITIONS PREVALENT DURING MANUFACTURE & USAGE.
 3. NO MOLDED IN GALLONAGE MARKERS THIS TANK.

CALCULATED CAPACITY	
VOLUME IN U.S. GALLONS	
DESIGN CAPACITY	
	2908

CONFIDENTIAL PROPERTY OF
 POLY PROCESSING COMPANY
 NOT FOR REPRINT OR USE
 WITHOUT PERMISSION

DWG TITLE			
2900 GALLON OPEN TOP TANK			
SCALE:	3/8"=1'-0"	 Western Region P.O. Box 88 8025 South Ash Street French Camp, GA 30528 (800) 988-4904 FAX (229) 988-0455	DR:
DATE:	3/15/00		CK:
		SHEET	COMPUTER FILE
		1 OF 1	11502900 B

REV "B" ADDED IMFO NUB BY:JB 3/22/12 CK:WM
 REV "A" ADDED FITTING NOTE BY:JB 3/19/03 CK:MBW