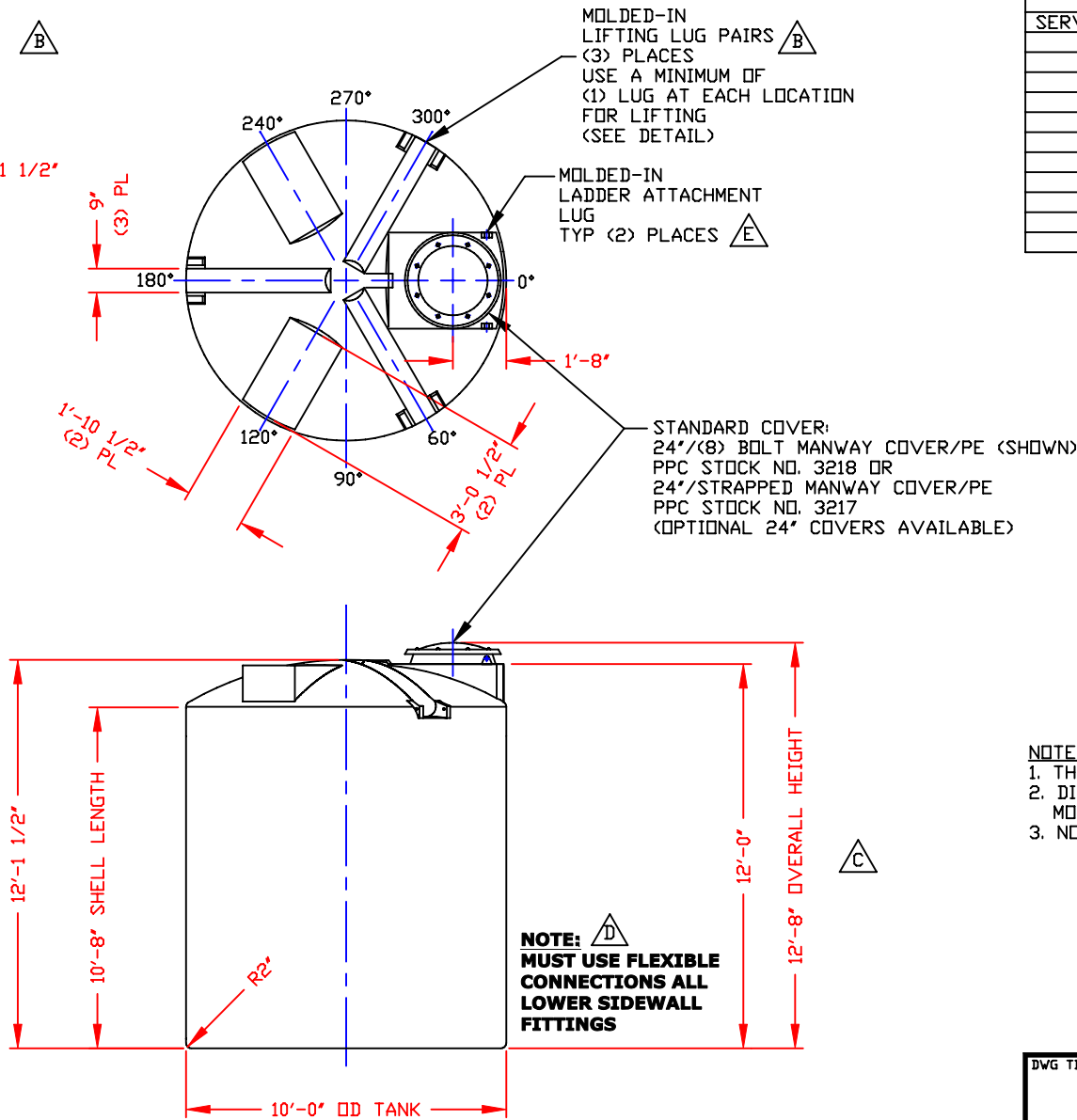
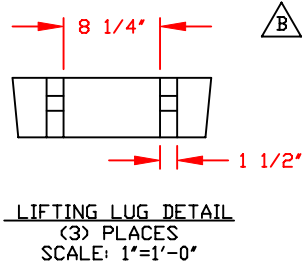


NON-CONTROLLED COPY  
 INFORMATION SUBJECT TO CHANGE WITHOUT NOTICE  
 VERIFY REV LEVEL OF PAPER COPY WITH REV LEVEL ON PPC WEB SITE



NOZZLE SCHEDULE & ACCESSORIES					
SERVICE	MK	STOCK NO.	SIZE	FITTING	DEG ELEV

NOTES  
 1. THIS IS A COMPUTER GENERATED DWG. DO NOT REVISE BY HAND.  
 2. DIMENSIONS WILL VARY ±3% DUE TO VARIATIONS IN MULTIPLE MOLDS & CONDITIONS PREVALENT DURING MANUFACTURE & USAGE.  
 3. NO MOLDED IN GALLONAGE MARKERS THIS TANK.

CALCULATED CAPACITIES/ VOLUME IN U.S. GALLONS		
DESIGN CAP	DOME VOL	TOTAL VOL
6138	470	6608

CONFIDENTIAL PROPERTY OF  
 POLY PROCESSING COMPANY  
 NOT FOR REPRINT OR USE  
 WITHOUT PERMISSION

DWG TITLE: 6100 GALLON UPRIGHT TANK

- REV "F" REVISED FOR MOLD MODIFICATIONS BY:JB 6/16/05 CK:WM
- REV "E" ADDED LADDER ATTACHMENT LUGS BY:JB 1/28/05 CK:MBW
- REV "D" ADDED FITTING NOTE BY:JB 3/19/03 CK:MBW
- REV "C" ADDED DIMENSION BY:JB 10/21/02 CK:MBW
- REV "B" ADDED LIFTING LUGS & DETAILS BY:JB 8/27/02 CK:WM
- REV "A" REVISED TO REFLECT MOLD MODIFICATION BY:MBW 2/27/02 CK:JB

SCALE: 1/4"=1'-0"	 <b>POLYPROCESSING</b> COMPANY	<b>Western Region</b> <small>P.O. Box 98          6095 South Ash Street          French Camp, CA 95821          (916) 966-4504          FAX (916) 962-0435</small>	DR: MB WILKERSON
DATE: 3/2/00		CK: D. RECTOR	
SHEET 1 OF 1		COMPUTER FILE 11006100	REV F